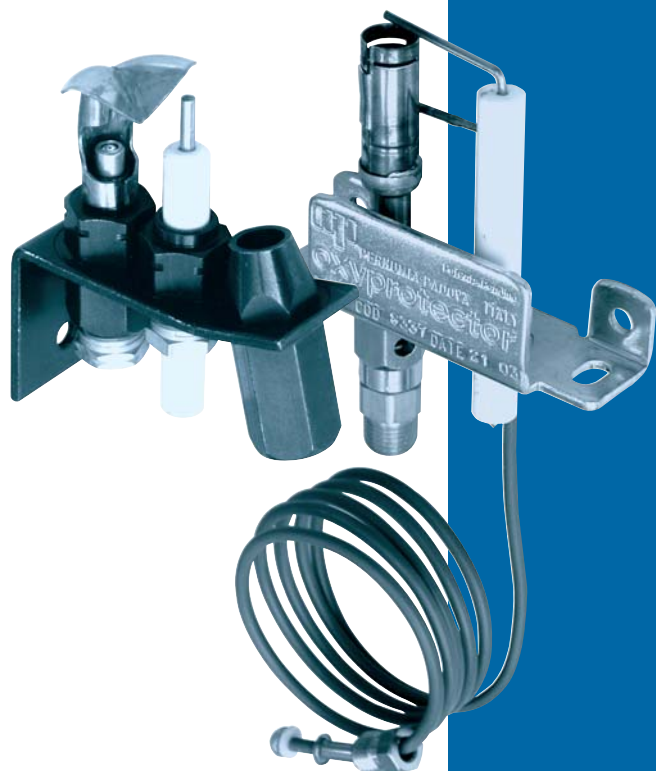


PILOT BURNERS

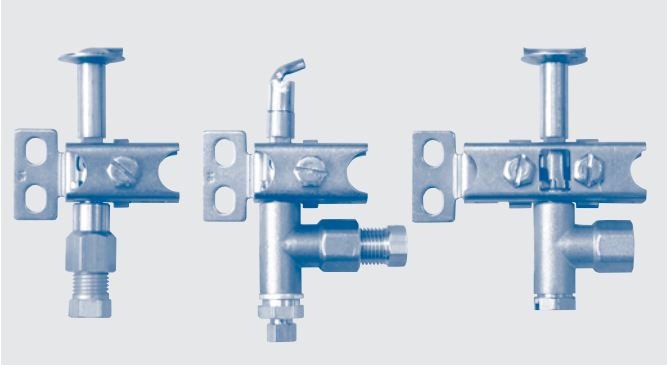


Index

Pilot burners 100 series	2
Pilot burners 140 series	8
Pilot burners 145 series	10
Pilot burners 150 series	14
Pilot burners 160 series	16
Pilot burners 190 series	18
Pilot burners PRIME AIR series	22
OXYPROTECTOR 8000 series	24
OXYPROTECTOR 8200 series	26
OXYPROTECTOR 8300 series	28
OXYPROTECTOR 8400 series	30
OXYPROTECTOR 8550 series	32
OXYPROTECTOR 85/86/8750 series	34
OXYPILOT 9000 series	38
Bracket configurations	44
Thermocouple mounting sleeves millivolt generator	53



PILOT BURNERS 100 SERIES



CHARACTERISTICS

They can be supplied in various versions:

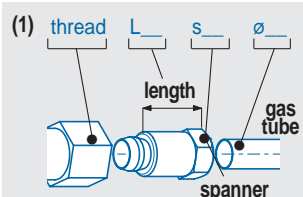
- 1-2-3 flame hoods with different orientations
- spark electrode available
- 4 mm, 6 mm and 1/4" pilot tube shear-off
- 2 or 3 positions brackets, for use with thermocouples with unified sleeve (unless otherwise specified)
- horizontal or vertical gas inlet
- internal or external gas adjustment, or fixed injector.

The energy consumption is approximately 210 W.

This series of pilot burners is designed to have adjustment of the gas flow and primary aeration. This allows their use with any kind of gas (multigas), or they can be supplied for a specified gas family (IInd or IIIrd family). Due to their versatility and simple design, they are suitable for universal use and combine characteristics of economy with good performance.

CODE	Pilot hood N. flames	Injector ø [mm]	Gas connection ⁽¹⁾	Orientation/ N. positions ⁽²⁾	Gas type ⁽³⁾	Gas inlet gas adjustment
0.100.001	3	0.20	M10x1 L16 s10 ø6 mm	420/3	multigas	horizontal, internal adjustment
0.100.004	3	0.35	M10x1 L16 s10 ø6 mm	420/3	multigas	horizontal, internal adjustment
0.100.005	3	0.40	M10x1 L16 s10 ø6 mm	420/3	multigas	horizontal, internal adjustment
0.100.006	3	0.45	M10x1 L16 s10 ø6 mm	420/3	multigas	horizontal, internal adjustment
0.100.009	3	0.20	M10x1 L16 s10 ø4 mm	420/3	multigas	horizontal, internal adjustment
0.100.011	3	0.35	M10x1 L16 s10 ø1/4"	410/3	multigas	horizontal, internal adjustment
0.100.013	1	0.20	M10x1 L16 s10 ø6 mm	120/2	multigas	horizontal, internal adjustment
0.100.016	1	0.20	M10x1 L16 s10 ø4 mm	120/2	multigas	horizontal, internal adjustment
0.100.017	1	0.20	M10x1 L16 s10 ø1/4"	120/2	multigas	horizontal, internal adjustment
0.100.020	2	0.20	M10x1 L16 s10 ø6 mm	220/2	multigas	horizontal, internal adjustment
0.100.022	2	0.40	M10x1 L16 s10 ø6 mm	220/2	multigas	horizontal, internal adjustment
0.100.024	2	0.20	M10x1 L16 s10 ø1/4"	220/2	multigas	horizontal, internal adjustment
0.100.025	3	0.20	M10x1 L16 s10 ø6 mm	320/2	multigas	horizontal, internal adjustment
0.100.054	3	0.22	M10x1 L16 s10 ø4 mm	420/3	multigas	horizontal, internal adjustment
0.100.065	2	0.30	M10x1 L16 s10 ø1/4"	220/2	multigas	horizontal, internal adjustment
0.100.066	3	0.35	M10x1 L16 s10 ø1/4"	320/2	multigas	horizontal, internal adjustment
0.100.067	3	0.40	M10x1 L16 s10 ø1/4"	313/2	multigas	horizontal, internal adjustment
0.100.068	1	0.35	M10x1 L16 s10 ø6 mm	120/2	multigas	horizontal, internal adjustment
0.100.088	3	0.24	M10x1 L16 s10 ø1/4"	421/3	multigas	horizontal, internal adjustment
0.100.089	1	0.20	M10x1 L16 s10 ø6 mm	111/2	multigas	horizontal, internal adjustment
0.100.091	1	0.35	M10x1 L16 s10 ø4 mm	120/2	multigas	horizontal, internal adjustment

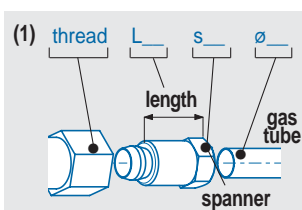
CODE	Pilot hood N. flames	Injector ø [mm]	Gas connection ⁽¹⁾	Orientation/ N. positions ⁽²⁾	Gas type ⁽³⁾	Gas inlet gas adjustment
0.100.092	2	0.24	M10x1 L16 s10 ø1/4"	220/2	multigas	horizontal, internal adjustment
0.190.015	3	0.20	M10x1 L16 s10 ø6 mm	314/2	multigas	horizontal, internal adjustment
0.190.083	3	0.35	M10x1 L16 s10 ø4 mm	420/3	multigas	horizontal, internal adjustment
0.190.085	3	0.35	M10x1 L16 s10 ø4 mm	314/2	multigas	horizontal, internal adjustment
0.190.089	3	0.25	M10x1 L16 s10 ø6 mm	314/2	multigas	horizontal, internal adjustment
0.190.104	3	0.35	M10x1 L16 s10 ø6 mm	410/3	multigas	horizontal, internal adjustment
G1.801.122	1	0.21	M10x1	110/2	multigas	horizontal, internal adjustment
G1.801.124	1	0.40	M10x1	110/2	multigas	horizontal, internal adjustment
G1.801.132	1	0.21	M10x1	414/3	multigas	horizontal, internal adjustment
G1.801.222	2	0.21	M10x1	210/2	multigas	horizontal, internal adjustment
G1.801.224	2	0.40	M10x1	220/2	multigas	horizontal, internal adjustment
G1.801.232	2	0.21	M10x1	413/3	multigas	horizontal, internal adjustment
G1.801.234	2	0.40	M10x1	413/3	multigas	horizontal, internal adjustment
G1.801.322	3	0.21	M10x1	310/2	multigas	horizontal, internal adjustment
G1.801.325	3	0.35	M10x1	310/2	multigas	horizontal, internal adjustment
G1.801.332	3	0.21	M10x1	410/3	multigas	horizontal, internal adjustment
G1.801.334	3	0.40	M10x1	410/3	multigas	horizontal, internal adjustment
G1.801.336	3	0.24	M10x1	410/3	multigas	horizontal, internal adjustment
G1.801.339	3	0.35	M10x1	410/3	multigas	horizontal, internal adjustment
G1.802.122	1	0.21	M10x1 L16 s10 ø6 mm	110/2	LPG	vertical, interchangeable injector
G1.802.124	1	0.40	M10x1 L16 s10 ø6 mm	110/2	NG	vertical, interchangeable injector
G1.802.132	1	0.21	M10x1 L16 s10 ø6 mm	414/3	LPG	vertical, interchangeable injector
G1.802.222	2	0.21	M10x1 L16 s10 ø6 mm	210/2	LPG	vertical, interchangeable injector
G1.802.224	2	0.40	M10x1 L16 s10 ø6 mm	210/2	NG	vertical, interchangeable injector
G1.802.322	3	0.21	M10x1 L16 s10 ø6 mm	310/2	LPG	vertical, interchangeable injector
G1.802.332	3	0.21	M10x1 L16 s10 ø6 mm	410/3	LPG	vertical, interchangeable injector
G1.802.334	3	0.40	M10x1 L16 s10 ø6 mm	410/3	NG	vertical, interchangeable injector
G1.803.124	1	0.40	M10x1 L16 s10 ø6 mm	110/2	NG	horizontal, interchangeable injector
G1.803.332	3	0.21	M10x1 L16 s10 ø6 mm	410/3	LPG	horizontal, interchangeable injector
G1.803.334	3	0.40	M10x1	410/3	NG	horizontal, interchangeable injector
G1.803.336	3	0.40	M10x1	410/3	NG	horizontal, interchangeable injector
G1.805.334	3	0.40	M10x1 L16 s10 ø6 mm	410/3	NG	vertical, interchangeable injector
G1.807.002	1	0.24	M10x1 L16 s10 ø6 mm	110/2	multigas	horizontal, external adjustment
G1.807.121	1	0.21	M10x1 L16 s10 ø4 mm	110/2	multigas	horizontal, external adjustment
G1.807.122	1	0.24	M10x1	110/2	multigas	horizontal, external adjustment
G1.807.332	3	0.24	M10x1	410/3	multigas	horizontal, external adjustment
G1.809.125	1	0.25	M10x1 L16 s10 ø4 mm	110/2	multigas	horizontal, internal adjustment
G1.809.335	3	0.25	M10x1 L16 s10 ø4 mm	420/3	multigas	horizontal, internal adjustment
G1.813.332	3	0.21	M10x1	410/3	LPG	vertical, interchangeable injector
G1.818.332	3	0.21	M10x1	410/3	LPG	vertical, interchangeable injector
G1.818.334	3	0.40	M10x1	410/3	NG	vertical, interchangeable injector
G1.818.344	3	0.35	M10x1	410/3	NG	vertical, interchangeable injector
G1.818.345	3	0.40	M10x1	410/3	NG	vertical, interchangeable injector



(2) see pag. 5

(3) multigas: LPG or NG.
LPG: IIIrd family gas.
NG: IInd family gas
(natural gas).

CODE	Pilot hood N. flames	Injector ø [mm]	Gas connection ⁽¹⁾	Orientation/ N. positions ⁽²⁾	Gas type ⁽³⁾	Gas inlet gas adjustment
G1.818.346	3	0.35	M10x1	410/3	NG	vertical, interchangeable injector
G1.824.122	1	0.21	M10x1 L16 s10 ø6 mm	110/2	multigas	horizontal, internal adjustment
G1.824.124	1	0.40	M10x1 L16 s10 ø6 mm	110/2	multigas	horizontal, internal adjustment
G1.824.182	1	0.21	M10x1 L16 s10 ø6 mm	110/2	multigas	horizontal, internal adjustment
G1.824.222	2	0.21	M10x1 L16 s10 ø6 mm	210/2	multigas	horizontal, internal adjustment
G1.824.224	2	0.40	M10x1 L16 s10 ø6 mm	210/2	multigas	horizontal, internal adjustment
G1.824.325	3	0.25	M10x1 L16 s10 ø6 mm	310/2	multigas	horizontal, internal adjustment
G1.824.334	3	0.40	M10x1 L16 s10 ø6 mm	410/3	multigas	horizontal, internal adjustment
G1.824.335	3	0.25	M10x1 L16 s10 ø6 mm	410/3	multigas	horizontal, internal adjustment
G1.824.382	3	0.21	M10x1 L16 s10 ø6 mm	410/3	multigas	horizontal, internal adjustment
G1.825.233	2	0.35	M10x1	413/3	NG	horizontal, interchangeable injector
G1.825.332	3	0.21	M10x1	410/3	LPG	horizontal, interchangeable injector
G1.825.333	3	0.35	M10x1	410/3	NG	horizontal, interchangeable injector
G1.825.335	3	0.40	M10x1	410/3	NG	horizontal, interchangeable injector
G1.827.331	3	0.35	M10x1	410/3	multigas	horizontal, internal adjustment
0.190.025	1	0.20	M10x1 L16 s10 ø6 mm		multigas	horizontal, internal adjustment
0.190.061	1	0.20	M10x1 L16 s10 ø6 mm		multigas	horizontal, internal adjustment
0.190.102		0.20	M10x1 L16 s10 ø4 mm	- /E10 ⁽⁴⁾	multigas	horizontal, internal adjustment
0.190.108	3	0.20	M10x1	423/E8 ⁽⁴⁾	multigas	horizontal, internal adjustment
0.190.901	1	0.18	M10x1		multigas	horizontal, internal adjustment
0.190.902		0.20	M10x1 L16 s10 ø6 mm		multigas	horizontal, internal adjustment
0.190.904	1	0.35	M10x1		multigas	horizontal, internal adjustment
0.190.905		0.35	M10x1		multigas	horizontal, internal adjustment



(2) see pag. 5

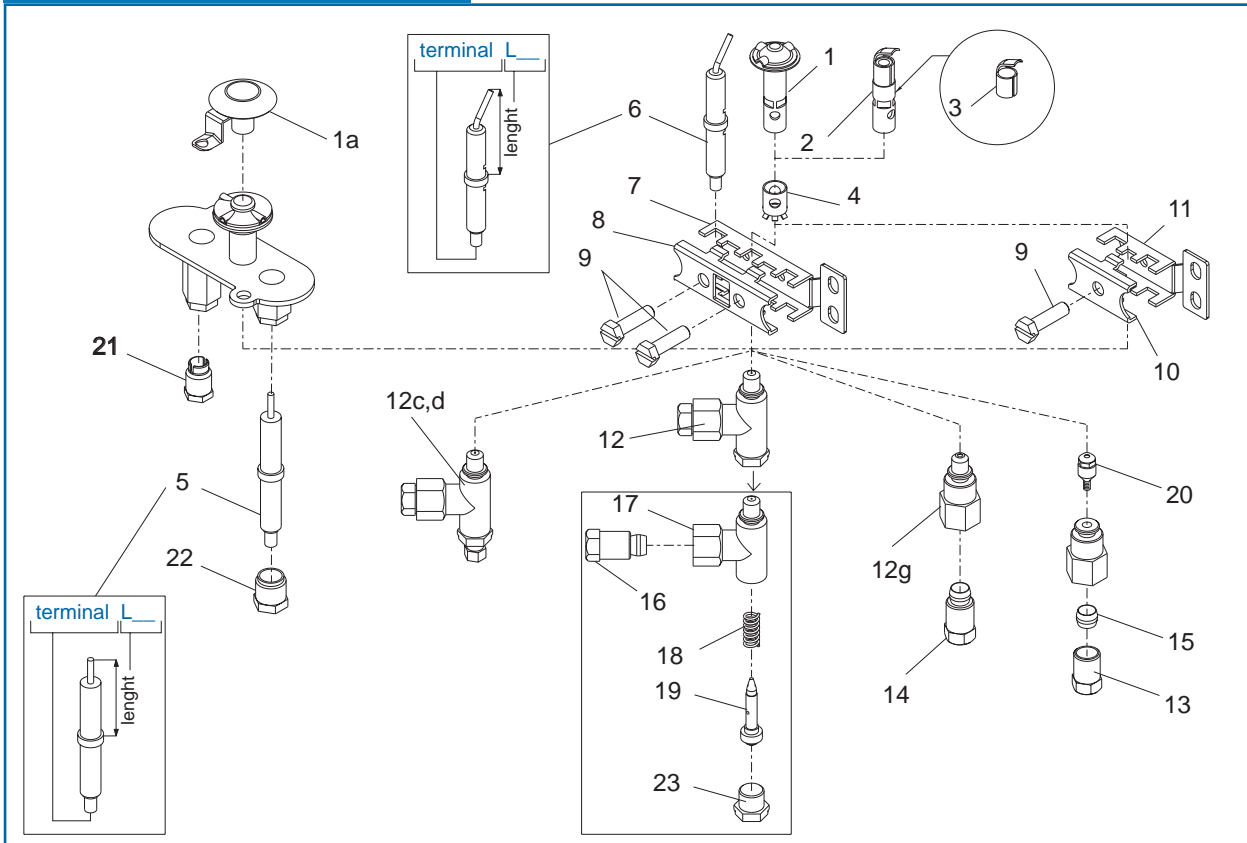
(3) multigas: LPG or NG.
LPG: IIIrd family gas.
NG: IInd family gas
(natural gas).

(4) see pag. 44 and 53 (A2
target sleeve)

ORIENTATIONS

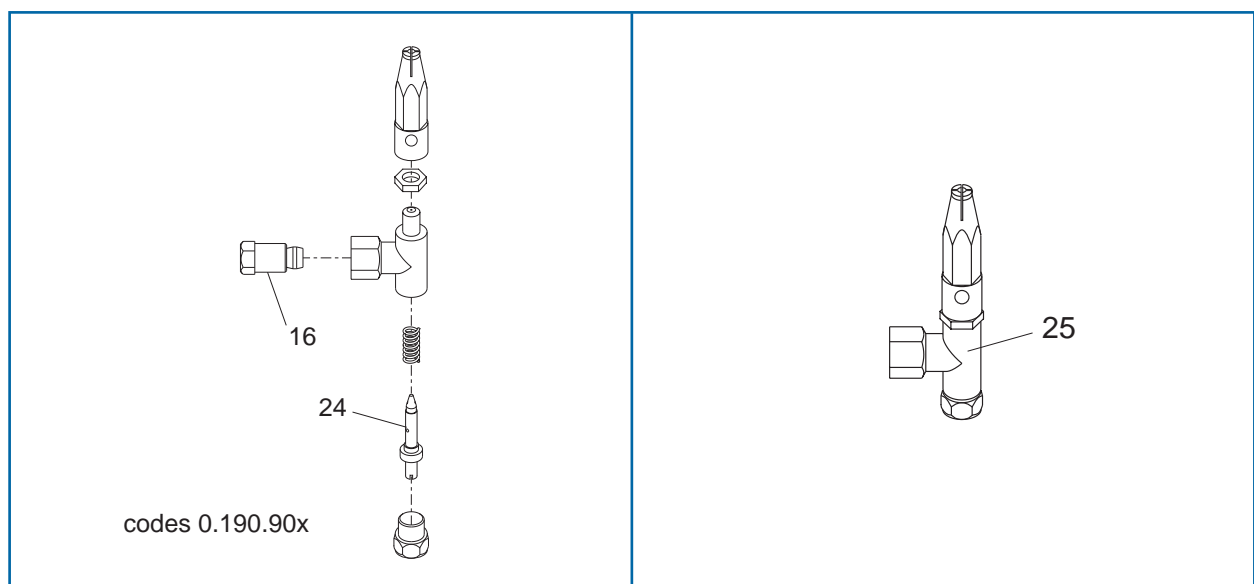
110 	111 	120 	121
210 	211 	212 	213
220 	221 	222 	223
310 	311 	312 	313
314 	320 	321 	322
323 	410 	411 	412
413 	414 	420 	421
422 	423 		

ACCESSORIES



N.	CODE	Description	Quantity
1a	0.975.054	Three flames pilot head for 0.190.102	100
1b	0.975.004	Three flames pilot head (2 holes ø3.6 mm)	100
1c	0.975.016	Two flames pilot head (2 holes ø3.6 mm)	100
1d	0.975.061	Three flames pilot head (2 holes ø2.5 mm)	100
2	0.975.015	One flame pilot head (2 holes ø3.6 mm)	100
3	0.976.001-G6.053.004	One flame pilot head	100
4	0.912.001	Air shutter	100
5a	0.915.024	Spark electrode straight M4x1 pin L 26.4 mm	100
5b	0.915.025	Spark electrode straight ø2.4 pin L 26.4 mm	100
5c	G6.058.005	Spark electrode straight M4 pin L 29.0 mm	100
6a	0.915.036	Spark electrode bent M4x1 pin L 26.5 mm	100
6b	0.915.037	Spark electrode bent ø2.4 pin L 26.5 mm	100
6c	0.915.040	Spark electrode bent special M4x1 pin L 23.6 mm	100
6d	0.915.044	Spark electrode bent special M4x1 pin L 23.2 mm	100
6e	0.915.055	Spark electrode bent special M4x1 pin L 25.0 mm	100
6f	G6.058.011	Spark electrode bent square M4x0.7 pin L 26.0 mm	100
7	0.978.003-G6.055.002	Clamp and bracket (3 positions bracket)	100
8	0.978.004-G6.056.002	Clamp and bracket (3 positions clamp)	100
9	0.953.007-G6.031.005	Clamp screw UNI 5739 TE3 (3/16"x18 mm) for bracket	100
10	0.978.009-G6.056.001	Clamp and bracket (2 positions clamp)	100
11	0.978.021-G6.055.001	Clamp and bracket (2 positions bracket)	100
12a	0.901.067	Body with ø0.20 mm injector and ø6 mm pilot tube shear-off	100
12b	0.901.278	Body with ø0.30 mm injector and ø4 mm pilot tube shear-off	100
12c	G2.001.004	Body with ø0.24 mm injector external adjustment and ø6 mm pilot tube shear-off	100
12d	G3.001.021	Body with ø0.21 mm injector ext. adjust. and ø4/ø6 mm tube without pilot tube shear-off	100
12e	0.901.401	Body with ø0.20 mm injector for 0.190.108	100
12f	G4.001.012	Body with ø0.21 mm injector and ø4/ø6 mm tube without pilot tube shear-off	100

N.	CODE	Description	Quantity
12g	0.901.502	Body with ø0.35 mm injector	100
13a	G6.032.006	Nut for ø6 mm (M10x1 L12.5 s10)	100
13b	G6.032.049/A	Nut for ø4 mm (M10x1 L11 s10)	100
13c	G6.032.094	Nut for ø3/16" (M10x1 L11 s10)	100
14-16	0.958.030-G6.032.080	ø4 mm pilot tube shear-off (M10x1 L16 s10)	100
14-16	0.958.031-G6.032.072	ø6 mm pilot tube shear-off (M10x1 L16 s10)	100
14-16	0.958.032	ø1/4" pilot tube shear-off (M10x1 L16 s10)	100
14-16	G6.032.071	ø1/4" pilot tube shear-off (M10x1 L12 s10)	100
15a	G6.033.007	ø1/4" olive	100
15b	G6.033.009	ø4 mm olive	100
15c	G6.033.012	ø3/16" olive	100
17a	0.901.210	Body with ø0.25 mm injector	100
17b	0.901.401	Body with ø0.20 mm injector	100
17c	0.901.404	Body with ø0.35 mm injector	100
17d	0.901.405	Body with ø0.40 mm injector	100
18	0.900.047	Spring for pilot body 0.100	100
19a	0.977.028	ø0.20 mm injector assembly	100
19b	0.977.029	ø0.30 mm injector assembly	100
19c	0.977.030	ø0.20 mm injector assembly	100
19d	0.977.031-G5.057.022	ø0.35 mm injector assembly	100
19e	0.977.032-G5.057.006	ø0.40 mm injector assembly	100
19f	0.977.033	ø0.45 mm injector assembly	100
19g	0.977.051-G5.057.025	ø0.25 mm injector assembly	100
19h	G5.057.007	ø0.21 mm injector assembly	100
20a	G6.057.035	ø0.35 mm monogas interchangeable injector	100
20b	G6.057.036	ø0.21 mm monogas interchangeable injector	100
21	0.974.036	TC fixing nut (M10x1 L15 s10)	100
22	0.974.037	Spark electrode fixing nut (M10x1 L11 s10)	100
23	G6.040.005	Body screw plug	100



N.	CODE	Description	Quantity
16	0.958.031	ø6 mm pilot tube shear-off (M10x1 L16 s10)	100
24a	0.977.151	ø0.20 mm injector special for 0.190.90x	100
24b	0.977.163	ø0.30 mm injector special for 0.190.90x	100
25a	G3.001.024	Body with ø0.35 mm injector and ø4/ø6 mm pilot tube shear-off with pilot hood	100
25b	G3.001.031	Body with ø0.21 mm injector and ø4/ø6 mm pilot tube shear-off with pilot hood	100

PILOT BURNERS 140 SERIES



CHARACTERISTICS

They can be supplied in various versions:

- various types of brackets
- 1 or 2 flame hoods
- with or without spark electrode
- 2 different height levels of the beam flame
- 4 mm, 6 mm and 1/4" pilot tube shear-off.

The energy consumption is approximately 115 W.

Derived from the 150 series of pilot burners using only secondary aeration for reliable performance.

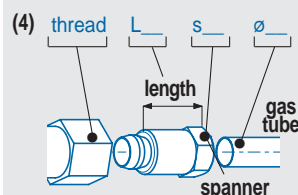
These are low energy pilots suitable for appliances requiring reduced gas consumption. By fitting the various injectors they can be used with any gas.

CODE	Pilot hood N. flames	Bracket ⁽¹⁾ - TC sleeve ⁽²⁾	Spark electrode ⁽³⁾	Injector mark	Gas connection ⁽⁴⁾	TC connection ⁽⁴⁾	Gas type ⁽⁵⁾
0.140.001	1	B7 - target			M10x1	M10x1 L15 s10	
0.140.005	2	B5 - target	2b	27	M10x1 L10.5 s10 ø4 mm	M10x1 L15 s10	NG
0.140.011	2	B5 - target			M10x1	M10x1 L15 s10	
0.140.015	2	B6 - unified			M10x1	M10x1 L15 s10	
0.140.018	1	B9 - unified			M10x1	M10x1 L15 s10	
0.140.019	1	B1 - target			M10x1	M10x1	
0.140.020	2	B1 - target			M10x1	M10x1	
0.140.021	1	B4 - target			M10x1	M10x1	
0.140.022	2	B4 - target			M10x1	M10x1	
0.140.023	1	B16 - unified			M10x1	M10x1	
0.140.024	2	B13 - target	2b		M10x1	M10x1 L15 s10	
0.140.026	1	B22 - target			M10x1	M10x1	
0.140.028	1	B17 - unified			M10x1	M10x1 L15 s10	
0.140.031	2	B6 - unified	2c	37	M10x1 L10.5 s10 ø4 mm	M10x1 L15 s10	NG
0.140.035	2	B6 - unified	2c	20	M10x1 L10.5 s10 ø4 mm	M10x1 L15 s10	LPG

(1) see pag. 45 to pag. 47

(2) see pag. 53

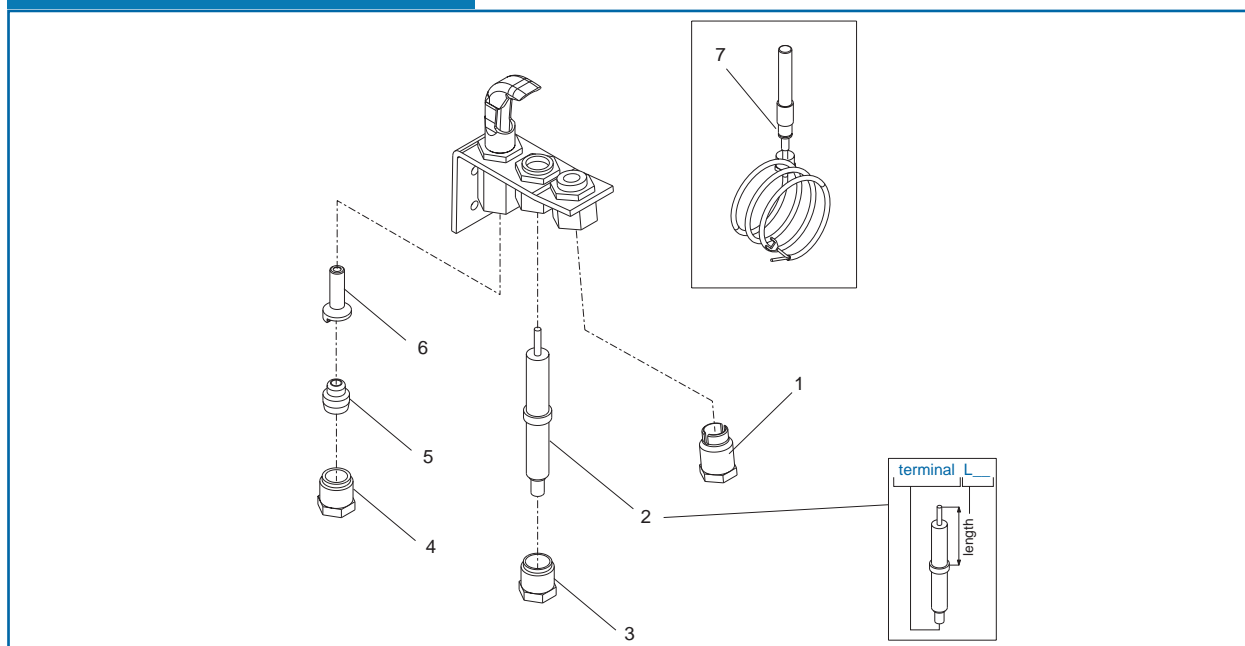
(3) see Accessories pag. 9



(5) LPG: IIIrd family gas.
NG: IInd family gas
(natural gas).

CODE	Pilot hood N. flames	Bracket ⁽¹⁾ - TC sleeve ⁽²⁾	Spark electrode ⁽³⁾	Injector mark	Gas connection ⁽⁴⁾	TC connection ⁽⁴⁾	Gas type ⁽⁵⁾
0.140.037	2	B6 - unified	2c	32	M10x1 L10.5 s10 ø4 mm	M10x1 L15 s10	NG
0.140.039	1	B13 - target			M10x1	M10x1 L15 s10	
0.140.049	1	B22 - target	2b	27	M10x1 L10.5 s10 ø1/4"	M10x1 L15 s10	NG
0.140.053	1	B23 - target	2c	27	M10x1 L10.5 s10 ø6 mm	M10x1 L15 s10	NG
0.140.102	1	B21 - A14			M10x1		
0.140.104	1	B24 - unified			M10x1	M10x1	

ACCESSORIES



N.	CODE	Description	Quantity
1	0.974.036	TC fixing nut (M10x1 L15 s10)	100
2a	0.915.009	Spark electrode straight M4x1 pin L 27.7 mm	100
2b	0.915.024	Spark electrode straight M4x1 pin L 26.4 mm	100
2c	0.915.025	Spark electrode straight ø2.4 pin L 26.4 mm	100
3	0.974.037	Spark electrode fixing nut (M10x1 L11 s10)	100
4a	0.958.011	Nut for ø6 mm (M10x1 L10.5 s10)	100
4b	0.958.013	Nut for ø4 mm (M10x1 L10.5 s10)	100
4c	0.958.018	Nut for ø1/4" (M10x1 L10.5 s10)	100
4d	0.958.046	Nut for ø4 mm (M10x1 L10.5 s10)	100
4e	0.958.047	Nut for ø6 mm (M10x1 L11 s10)	100
5a	0.957.009	ø4 mm olive (target)	100
5b	0.957.010	ø6 mm olive (target)	100
5c	0.957.011	ø1/4" olive	100
6a	0.977.099	ø0.60/ø0.40 mm NG injector target marked 32	100
6b	0.977.113	ø0.40/ø0.38 mm NG injector target marked 27	100
6c	0.977.114	ø0.50 mm town injector target marked 50	100
6d	0.977.115	ø0.18/ø0.20 mm LPG injector target marked 14	100
6e	0.977.132	ø0.60/ø0.55 mm NG injector target marked 37	100
6f	0.977.147	ø0.60/ø0.38 mm LPG injector marked 29	100
6g	0.977.150	ø0.28 mm LPG injector target marked 23	100
7	0.240.002	Millivoltage generator ⁽²⁾	100
n.d.	0.948.058	Gasket for pilot body (dim. 68x24 mm)	100
n.d.	0.948.060	Gasket for pilot body (dim. 71x26 mm)	100

PILOT BURNERS 145 SERIES



CHARACTERISTICS

They can be supplied in various versions:

- various types of brackets
- dual-flame pilot hood available for both orientations (left and right hand flame)
- with or without spark electrode
- 2 different height levels of the pilot flame
- 4 mm, 6 mm and 1/4" pilot tube shear-off.

The energy consumption is approximately 150 W.

These pilots use only secondary aeration, which eliminates the primary air-intake and any possibility of obstruction due to dust present in the surrounding air. They can be used with all kinds of gas by fitting the correct injector. They are suitable for all applications on space heaters, boilers, furnaces, etc.

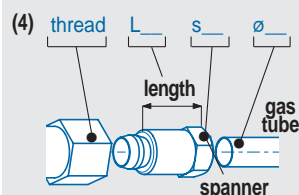
Their use is particularly suited for bladed burners where mounting and ignition tolerances are restricted.

CODE	Orientation	Bracket ⁽¹⁾ - TC sleeve ⁽²⁾	Spark electrode ⁽³⁾	Injector mark	Gas connection ⁽⁴⁾	TC connection ⁽⁴⁾	Gas type ⁽⁵⁾
0.145.001	DX	B33 - target			M10x1	M10x1	
0.145.002	SX	B33 - target			M10x1	M10x1	
0.145.003	SX	B34 - target	2b	37	M10x1 L10.5 s10 ø1/4"	M10x1 L15 s10	NG
0.145.004	SX	B34 - target	2b	23	M10x1 L10.5 s10 ø1/4"	M10x1 L15 s10	LPG
0.145.005	SX	B35 - target	2b	37	M10x1 L10.5 s10 ø1/4"	M10x1	NG
0.145.006	SX	B35 - target	2b	23	M10x1 L10.5 s10 ø1/4"	M10x1	LPG
0.145.007	SX	B34 - target			M10x1	M10x1 L15 s10	
0.145.010	DX	B34 - target			M10x1	M10x1 L15 s10	
0.145.019	DX	B38 - target			M10x1	M10x1	
0.145.024	SX	B37 - target			M10x1	M10x1	
0.145.025	SX	B33 - target	2b	27	M10x1 L10.5 s10 ø4 mm	M10x1 L15 s10	NG
0.145.026	SX	B39 - target			M10x1	M10x1 L15 s10	
0.145.027	DX	B33 - target	2a		M10x1 L10.5 s10 ø4 mm	M10x1 L15 s10	
0.145.028	SX	B33 - target	2a		M10x1 L10.5 s10 ø1/4"	M10x1 L15 s10	
0.145.029	SX	B34 - target	2b	37	M10x1 L10.5 s10 ø1/4"	M10x1 L15 s10	NG

(1) see pag. 45 to pag. 47

(2) see pag. 53

(3) see Accessories pag. 12

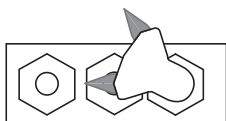


(5) LPG: IIIrd family gas.
NG: IInd family gas
(natural gas).

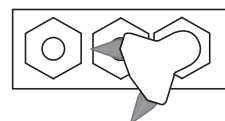
CODE	Orientation	Bracket ⁽¹⁾ - TC sleeve ⁽²⁾	Spark electrode ⁽³⁾	Injector mark	Gas connection ⁽⁴⁾	TC connection ⁽⁴⁾	Gas type ⁽⁵⁾
0.145.030	DX	B33 - target	2b	37	M10x1	M10x1 L15 s10	NG
0.145.032	SX	B34 - target	2b	19	M10x1 L10.5 s10 ø1/4"	M10x1 L15 s10	LPG
0.145.033	SX	B4 - target			M10x1	M10x1	
0.145.034	DX	B33 - target	2a	35	M10x1 L10.5 s10 ø1/4"	M10x1	NG
0.145.503	SX	B40	2b	37	M10x1 L10.5 s10 ø1/4"		NG
0.145.504	SX	B40	2b	23	M10x1 L10.5 s10 ø1/4"		LPG
0.145.501	DX	B41	2b	37	M10x1 L10.5 s10 ø1/4"		NG
0.145.502	DX	B41	2b	23	M10x1 L10.5 s10 ø1/4"		LPG

ORIENTATIONS

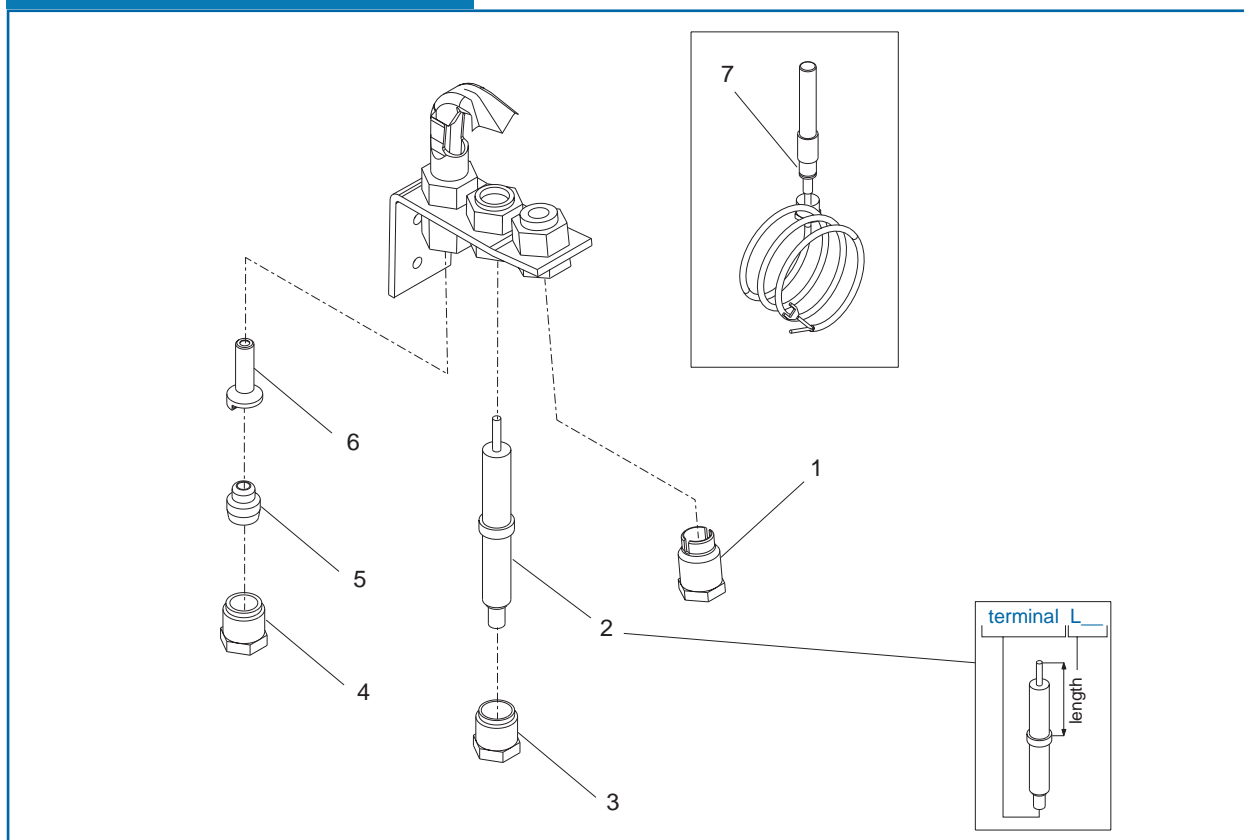
DX



SX



ACCESSORIES



N.	CODE	Description	Quantity
1	0.974.036	TC fixing nut (M10x1 L15 s10)	100
2a	0.915.024	Spark electrode straight M4x1 pin L 26.4 mm	100
2b	0.915.025	Spark electrode straight $\varnothing 2.4$ pin L 26.4 mm	100
3	0.974.037	Spark electrode fixing nut (M10x1 L11 s10)	100
4a	0.958.011	Nut for $\varnothing 6$ mm (M10x1 L10.5 s10)	100
4b	0.958.013	Nut for $\varnothing 4$ mm (M10x1 L10.5 s10)	100
4c	0.958.018	Nut for $\varnothing 1/4"$ (M10x1 L10.5 s10)	100
4d	0.958.046	Nut for $\varnothing 4$ mm (M10x1 L10.5 s10)	100
4e	0.958.047	Nut for $\varnothing 6$ mm (M10x1 L11 s10)	100
5a	0.957.000	$\varnothing 4$ mm olive (target)	100
5b	0.957.010	$\varnothing 6$ mm olive (target)	100
5c	0.957.011	$\varnothing 1/4"$ olive	100
6a	0.977.146	$\varnothing 0.64/\varnothing 0.60$ mm town injector target marked 42	100
6b	0.977.113	$\varnothing 0.40/\varnothing 0.38$ mm NG injector target marked 27	100
6c	0.977.144	$\varnothing 0.60/\varnothing 0.40$ mm NG injector target marked 30	100
6d	0.977.132	$\varnothing 0.60/\varnothing 0.55$ mm NG injector target marked 37	100
6e	0.977.141	$\varnothing 0.60$ mm town injector target marked 60	100
6f	0.977.098	$\varnothing 0.60/\varnothing 0.60$ mm NG injector target marked 35	100
6g	0.977.145	$\varnothing 0.30/\varnothing 0.18$ mm LPG injector alum. target marked 15	100
6h	0.977.105	$\varnothing 0.28$ mm LPG injector alum. target marked 23	100
6i	0.977.149	$\varnothing 0.30/\varnothing 0.18$ mm LPG injector steel target marked 15	100
6l	0.977.150	$\varnothing 0.28$ mm LPG injector steel target marked 23	100
7	0.240.002	Millivoltage generator ⁽¹⁾	100

(1) see pag. 53



PILOT BURNERS 150 SERIES



CHARACTERISTICS

They can be supplied in various versions:

- various types of brackets
- 1 or 2 flame hoods
- with or without spark electrode
- 2 different height levels of the pilot flame
- 4 mm, 6 mm and 1/4" pilot tube shear-off.

The energy consumption is approximately 210 W.

These pilots use only secondary aeration which eliminates the primary air-intake and any possibility of obstruction due to dust present in the surrounding air. They can be used with all kinds of gas by fitting the correct injector.

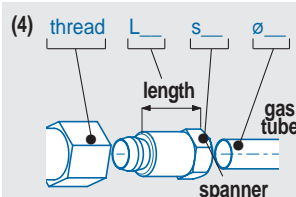
This series of pilot-burners, due to its simplicity, adapts itself to the most difficult working conditions.

CODE	Pilot hood N. flames	Bracket ⁽¹⁾ - TC sleeve ⁽²⁾	Spark electrode ⁽³⁾	Injector mark	Gas connection ⁽⁴⁾	TC connection ⁽⁴⁾	Gas type ⁽⁵⁾
0.150.043	2	B31 - target			M10x1	M10x1 L15 s10	
0.150.045	2	B10 - target	3b		M10x1	M10x1 L15 s10	
0.150.055	1	B20 - target		36	M10x1 L10.5 s10 ø6 mm	M10x1 L15 s10	NG
0.150.064	1	B31 - target			M10x1	M10x1 L15 s10	
0.150.073	1	B51 - unified		37	M10x1 L10.5 s10 ø6 mm	M10x1 L15 s10	NG
0.150.077	2	B30 - target			M10x1	M10x1 L15 s10	
0.150.084	2	B31 - target			M10x1	M10x1	
0.150.085	2	B10 - target			M10x1	M10x1	
0.150.086	1	B20 - target			M10x1	M10x1	
0.150.087	2	B20 - target			M10x1	M10x1	
0.150.091	1	B10 - target	3b	40	M10x1 L10.5 s10 ø1/4"	M10x1 L15 s10	NG
0.150.200	2	B10 - target	3a		M10x1	M10x1 L15 s10	
0.158.006	1	B10 - target			M10x1	M10x1 L15 s10	

(1) see pag. 45 to pag. 47

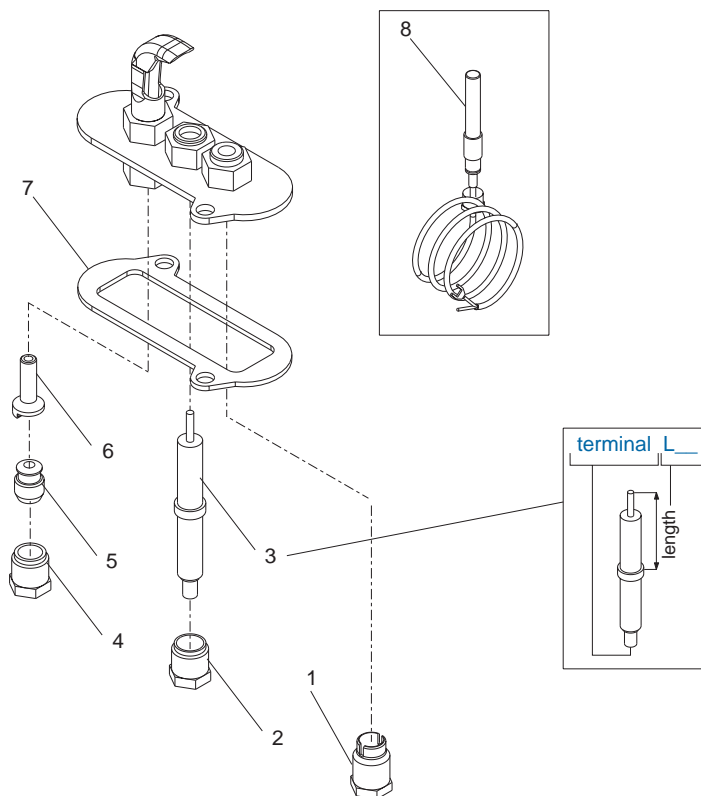
(2) see pag. 53

(3) see Accessories pag. 15



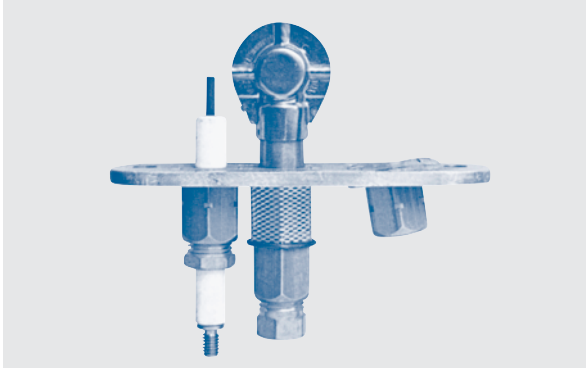
(5) NG: Ind family gas
(natural gas).

ACCESSORIES



N.	CODE	Description	Quantity
1	0.974.036	TC fixing nut (M10x1 L15 s10)	100
2	0.974.037	Spark electrode fixing nut (M10x1 L11 s10)	100
3a	0.915.009	Spark electrode straight M4x1 pin L 27.7 mm	100
3b	0.915.024	Spark electrode straight M4x1 pin L 26.4 mm	100
3c	0.915.025	Spark electrode straight $\varnothing 2.4$ pin L 26.4 mm	100
4a	0.958.011	Nut for $\varnothing 6$ mm (M10x1 L10.5 s10)	100
4b	0.958.013	Nut for $\varnothing 4$ mm (M10x1 L10.5 s10)	100
4c	0.958.018	Nut for $\varnothing 1/4$ " (M10x1 L10.5 s10)	100
4d	0.958.046	Nut for $\varnothing 4$ mm (M10x1 L10.5 s10)	100
4e	0.958.047	Nut for $\varnothing 6$ mm (M10x1 L11 s10)	100
5a	0.957.009	$\varnothing 4$ mm olive (target)	100
5b	0.957.010	$\varnothing 6$ mm olive (target)	100
5c	0.957.011	$\varnothing 1/4$ " olive	100
6a	0.977.046	$\varnothing 0.24/\varnothing 0.24$ mm LPG injector marked 21	100
6b	0.977.047	$\varnothing 0.45$ mm NG injector marked 38	100
6c	0.977.091	$\varnothing 0.60/\varnothing 0.55$ mm NG injector target marked 36	100
6d	0.977.092	$\varnothing 0.23/\varnothing 0.26$ mm LPG injector target marked 19	100
6e	0.977.098	$\varnothing 0.60/\varnothing 0.60$ mm NG injector target marked 35	100
6f	0.977.103	$\varnothing 0.60/\varnothing 0.55$ mm NG injector target marked 34	100
6g	0.977.105	$\varnothing 0.28$ mm LPG injector alum. target marked 23	100
6h	0.977.106	$\varnothing 0.35$ mm LPG injector marked 20	100
6i	0.977.132	$\varnothing 0.60/\varnothing 0.55$ mm NG injector target marked 37	100
6l	0.977.134	$\varnothing 0.23/\varnothing 0.26$ mm LPG injector target marked 24	100
6m	0.977.142	$\varnothing 0.40/\varnothing 0.58$ mm NG injector marked 33	100
6n	0.977.148	$\varnothing 0.23/\varnothing 0.26$ mm LPG injector marked 19	100
7a	0.948.050	Gasket target for pilot body (dim. 47x31 mm)	100
7b	0.948.060	Gasket target for pilot body (dim. 71x26 mm)	100
8	0.240.002	Millivoltage generator ⁽²⁾	100

PILOT BURNERS 160 SERIES



CHARACTERISTICS

They can be supplied in various versions:

- various types of brackets
- internal or external air-intake to the combustion chamber
- 1-2-3 flame hoods on vertical or horizontal plane
- with or without spark electrode
- vertical or inclined thermocouple
- 4 mm, 6 mm e 1/4" pilot tube shear-off
- primary air filter.

The energy consumption is approximately 230 W.

The pilot-burners of this series have a preset injector that guarantees an accurate and reliable efficiency. They can be used with all kinds of gas by fitting the correct injector.

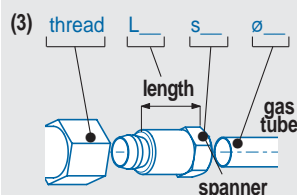
Their application is normally for those operations in which characteristics of high efficiency, stability and endurance are required.

CODE	Pilot hood N. flames	Orientation	Bracket ⁽¹⁾ - TC sleeve ⁽²⁾	Injector mark	Gas connection ⁽³⁾	TC connection ⁽³⁾	Gas type ⁽⁴⁾	Spark electr. ⁽⁵⁾
0.160.002	1	120	C1 - unified		M10x1	M10x1 L15 s10		
0.160.005	3	vertical	C3 - unified	51	M10x1 L10.5 s10 ø6 mm	M10x1 L15 s10	NG	
0.160.012	2	220	C1 - unified		M10x1	M10x1 L15 s10		
0.160.022	2	221	C1 - unified		M10x1	M10x1 L15 s10		
0.160.032	3	320	C1 - unified		M10x1	M10x1 L15 s10		
0.160.042	3	vertical	C1 - unified		M10x1	M10x1 L15 s10		
0.160.046	2	220	C4 - unified		M10x1	M10x1 L15 s10		
0.160.055	2	221	C4 - unified		M10x1	M10x1 L15 s10		
0.160.059	2	220	C1 - unified	41	M10x1 L10.5 s10 ø6 mm	M10x1 L15 s10	NG	7d
0.160.074	3	vertical	C1 - unified	51	M10x1 L10.5 s10 ø4 mm	M10x1 L15 s10	NG	7a
0.160.101	2	vertical	C8 - unified	41	M10x1 L10.5 s10 ø6 mm	M10x1 L15 s10	NG	
0.160.103	2	vertical	C7 - unified		M10x1	M10x1 L15 s10		
0.160.105	2	vertical	C9 - target	41	M10x1 L10.5 s10 ø6 mm	M10x1 L15 s10	NG	

(1) see pag. 48

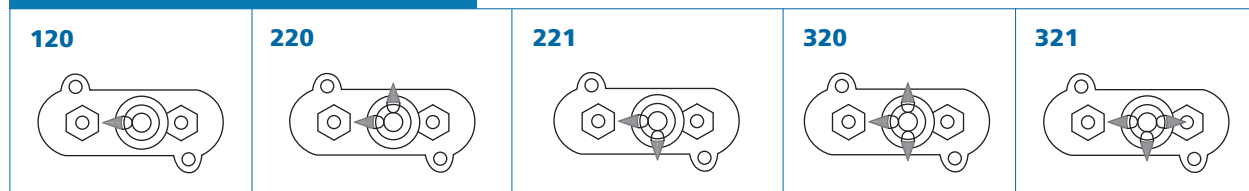
(2) see pag. 53

(4) NG: IInd family gas
(natural gas).

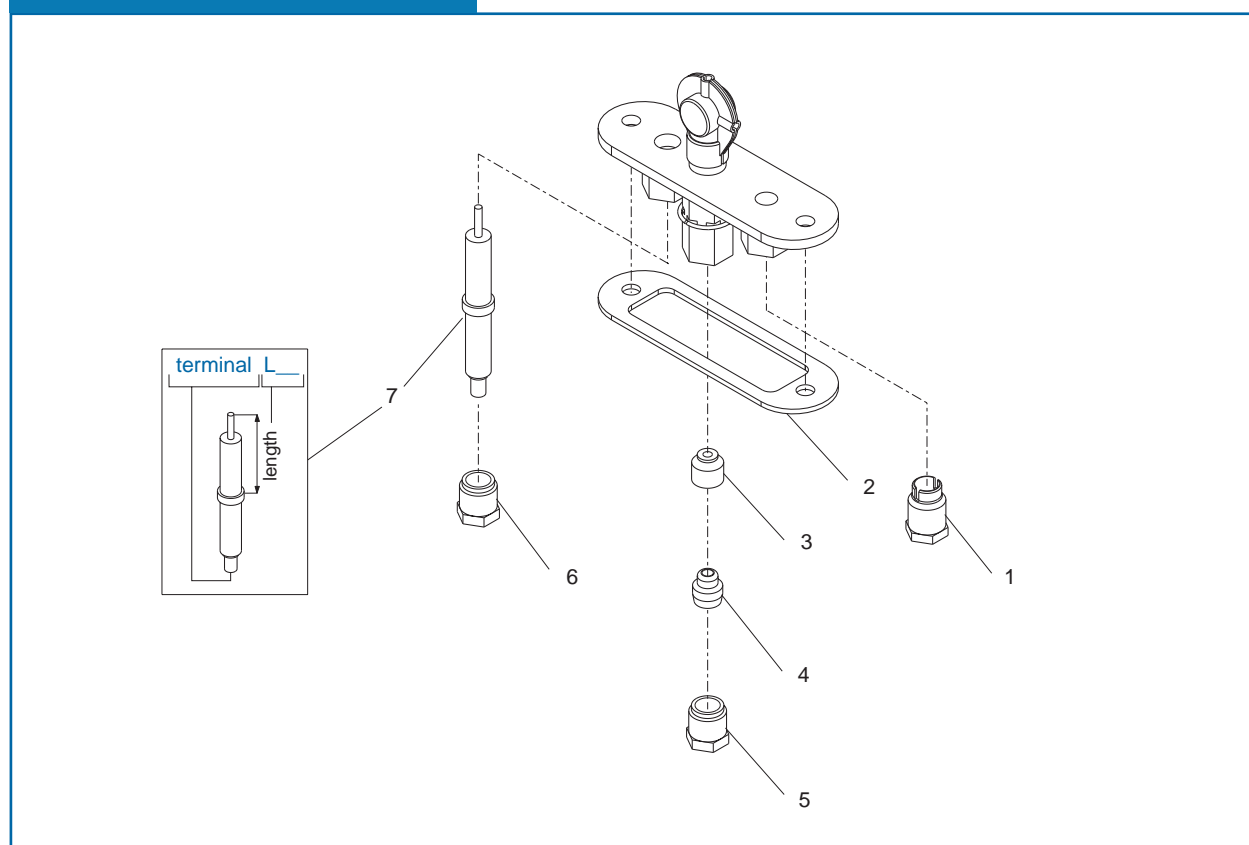


(5) see Accessories pag. 17

ORIENTATIONS

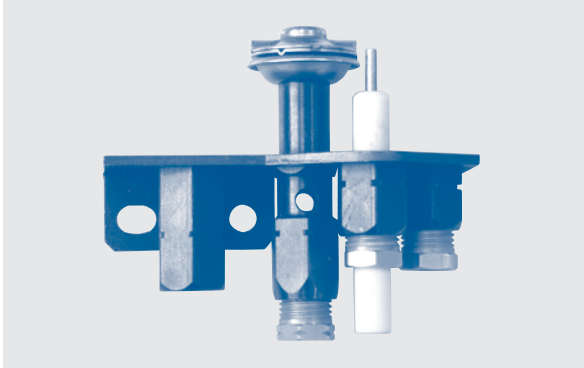


ACCESSORIES



N.	CODE	Description	Quantity
1	0.974.036	TC fixing nut (M10x1 L15 s10)	100
2	0.948.060	Gasket target for pilot body (dim. 71x26 mm)	100
3a	0.977.118	ø0.41 mm NG injector marked 41	100
3b	0.977.119	ø0.51 mm NG injector marked 51	100
3c	0.977.122	ø0.30 mm LPG injector marked 30	100
3d	0.977.123	ø0.25 mm LPG injector marked 25	100
3e	0.977.125	ø0.35 mm LPG injector marked 35	100
3f	0.977.156	ø0.20 mm LPG injector marked 20	100
4a	0.957.014	ø4 mm olive	100
4b	0.957.015	ø6 mm olive	100
5a	0.958.011	Nut for ø6 mm (M10x1 L10.5 s10)	100
5b	0.958.013	Nut for ø4 mm (M10x1 L10.5 s10)	100
6	0.974.037	Spark electrode fixing nut (M10x1 L11 s10)	100
7a	0.915.015	Spark electrode straight M4x1 pin L 35 mm	100
7b	0.915.024	Spark electrode straight M4x1 pin L 26.4 mm	100
7c	0.915.025	Spark electrode straight ø2.4 pin L 26.4 mm	100
7d	0.915.035	Spark electrode straight ø2.4 pin L 35 mm	100
7e	0.915.048	Spark electrode straight M4x1 pin L 34 mm	100
7f	0.915.050	Spark electrode straight M4x1 pin L 32.4 mm	100

PILOT BURNERS 190 SERIES



CHARACTERISTICS

They can be supplied in various versions:

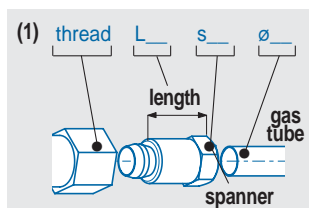
- various types of brackets
- internal or external air-intake to the combustion chamber
- 3 flame hoods with different orientations
- removable pilot hood for Top Convertible version
- with or without spark electrode
- 1/4" pilot tube shear-off.

The energy consumption is approximately 210 W.

The pilot-burners of this series, have the features of a fixed or removable pilot hood for simple field conversion and provide reliable performance. They can be used, with specific injectors, with any kind of gas. They allow the assembly of both a thermocouple and a millivoltage generator (thermopile).

Due to their versatility and ease of installation, they are suited for universal use and combine characteristics of economy with high performance.

CODE	Pilot hood N. flames	Injector mark	Gas connection ⁽¹⁾	Orientation	Bracket ⁽²⁾ - TC sleeve ⁽³⁾	TC connection ⁽¹⁾	Gas type ⁽⁴⁾	Spark electr. ⁽⁵⁾	Top Convertible
0.190.603	3		M10x1	321	E4 - target	M10x1			
0.190.607	3	30	M10x1 L10.5 s10 ø1/4"	321	E9 - target	M10x1 L15 s10	LPG	7c	
0.190.613	3		M10x1	322	E9 - target	M10x1 L15 s10			
0.190.650		51	M10x1 L16 s10 ø1/4"	323	E15 - target	M10x1	NG	7c	●
0.190.652			M10x1	323	E17 - target	M10x1			●
0.190.653			M10x1	321	E16 - target	M10x1			●
0.190.654			M10x1	323	E15 - target	M10x1			●
0.190.655			M10x1	321	E18 - target	M10x1			●
0.190.656			M10x1	321	E20 - target	M10x1			●
0.190.657			M10x1	323	E21 - target	M10x1			●



(2) see pag. 49

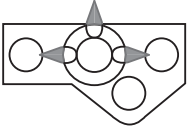
(5) see Accessories pag. 20

(3) see pag. 53

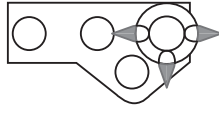
(4) LPG: IIIrd family gas.
NG: IInd family gas
(natural gas).

ORIENTATIONS

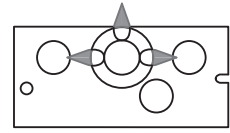
321



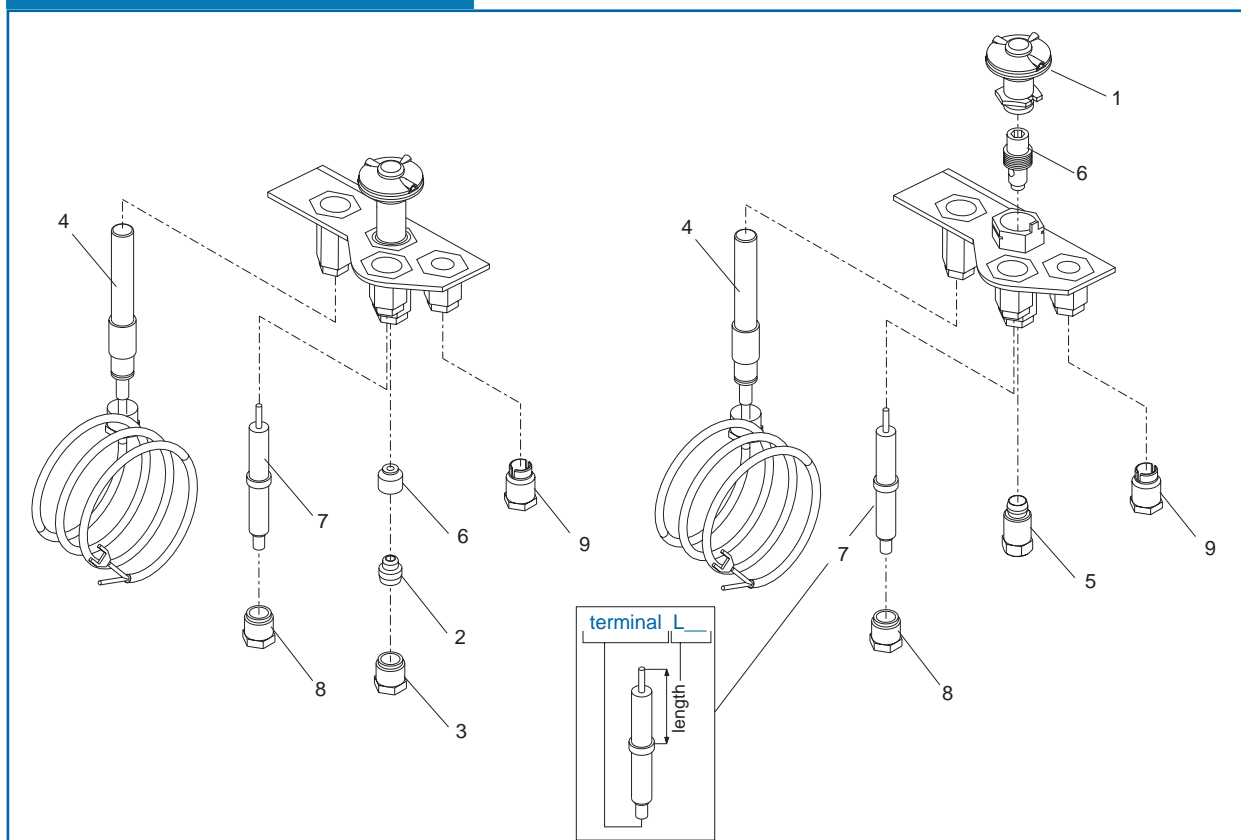
322



323



ACCESSORIES



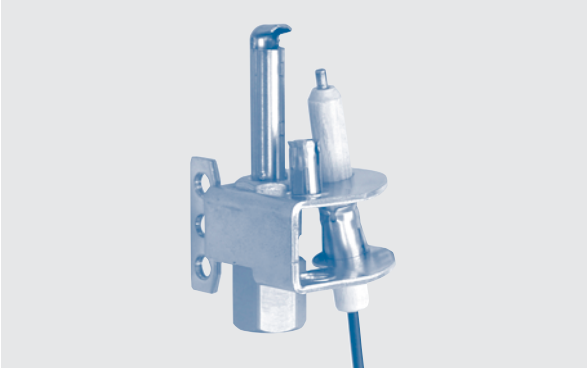
N.	CODE	Description	Quantity
1	0.975.063	Three flames pilot head for Top Convertible	100
2a	0.957.014	ø4 mm olive for 0.190.603/607/613	100
2b	0.957.015	ø6 mm olive for 0.190.603/607/613	100
2c	0.957.016	ø1/4" olive for 0.190.603/607/613	100
3a	0.958.011	Nut for ø6 mm (M10x1 L10.5 s10) for 0.190.603/607/613	100
3b	0.958.013	Nut for ø4 mm (M10x1 L10.5 s10) for 0.190.603/607/613	100
3c	0.958.018	Nut for ø1/4" (M10x1 L10.5 s10) for 0.190.603/607/613	100
4	0.240.002	Millivoltage generator ⁽¹⁾	100
5a	0.958.030	ø4 mm pilot tube shear-off (M10x1 L16 s10) for Top Convertible	100
5b	0.958.031	ø6 mm pilot tube shear-off (M10x1 L16 s10) for Top Convertible	100
5c	0.958.032	ø1/4" pilot tube shear-off (M10x1 L16 s10) for Top Convertible	100
6a	0.977.118	ø0.41 mm NG injector marked 41 for 0.190.603/607/613	100
6b	0.977.119	ø0.51 mm NG injector marked 51 for 0.190.603/607/613	100
6c	0.977.122	ø0.30 mm LPG injector marked 30 for 0.190.603/607/613	100
6d	0.977.123	ø0.25 mm LPG injector marked 25 for 0.190.603/607/613	100
6e	0.977.125	ø0.35 mm LPG injector marked 35 for 0.190.603/607/613	100
6f	0.977.156	ø0.20 mm LPG injector marked 20 for 0.190.603/607/613	100
6g	0.977.157	ø0.30 mm LPG injector steel marked 30 for 0.190.603/607/613	100
6h	0.977.158	ø0.35 mm LPG injector steel marked 35 for 0.190.603/607/613	100
6i	0.977.159	ø0.51 mm NG injector steel marked 51 for 0.190.603/607/613	100
6l	0.977.160	NG injector steel marked 62 for 0.190.603/607/613	100
6m	0.977.165	ø0.55/ø0.35 mm injector marked 51 NG for Top Convertible	100
6n	0.977.167	ø0.30 mm injector marked 30 LPG for Top Convertible	100
7a	0.915.015	Spark electrode straight M4x1 pin L 35 mm	100
7b	0.915.024	Spark electrode straight M4x1 pin L 26.4 mm	100
7c	0.915.025	Spark electrode straight ø2.4 pin L 26.4 mm	100
7d	0.915.035	Spark electrode straight ø2.4 pin L 35 mm	100

N.	CODE	Description	Quantity
8a	0.974.037	Spark electrode fixing nut (M10x1 L11 s10)	100
8b	0.974.144	Spark electrode fixing nut (M10x1 L13 s10) for Top Convertible	100
9	0.974.036	TC fixing nut (M10x1 L15 s10)	100

(1) see pag. 53



PILOT BURNERS PRIME AIR SERIES



CHARACTERISTICS

They can be supplied in various versions:

- 1/4" and 1/8" pilot tube shear-off
- with or without spark electrode.

The energy consumption is approximately 150 W.

The pilot-burners of this series can be used with LPG or Natural Gas, for appliances such as storage water-heaters. All the components are integrated to guarantee performance and assembly on to the appliance. They can be used with every type of gas by injector replacement.

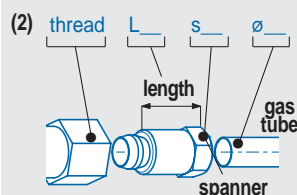
This series of pilot-burners, due to its simplicity, adapts itself to the most difficult working conditions.

CODE	Bracket ⁽¹⁾ - TC sleeve ⁽²⁾	Injector mark	Gas connection ⁽³⁾	Gas type ⁽⁴⁾	Spark electrode ⁽⁵⁾
	E11 - A0	21	7/16" L13 s1/2" ø1/4"	LPG	3a, 3b, 3c
	E11 - A0	21	7/16" L13 s1/2" ø1/8"	LPG	3a, 3b, 3c
	E11 - A0	23	7/16" L13 s1/2" ø1/4"	NG	3a, 3b, 3c
	E11 - A0	23	7/16" L13 s1/2" ø1/8"	NG	3a, 3b, 3c
	E11 - A0	24	7/16" L13 s1/2" ø1/4"	NG	3a, 3b, 3c
	E11 - A0	24	7/16" L13 s1/2" ø1/8"	NG	3a, 3b, 3c

(1) see pag. 50

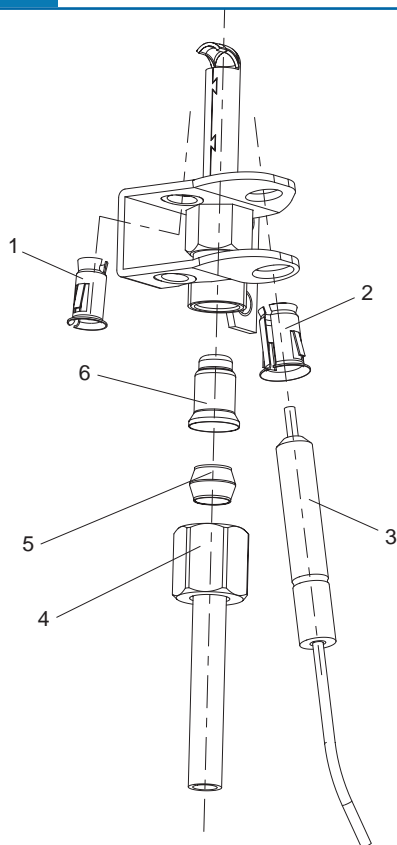
(2) see pag. 53

(4) LPG: IIIrd family gas.
NG: IInd family gas
(natural gas).



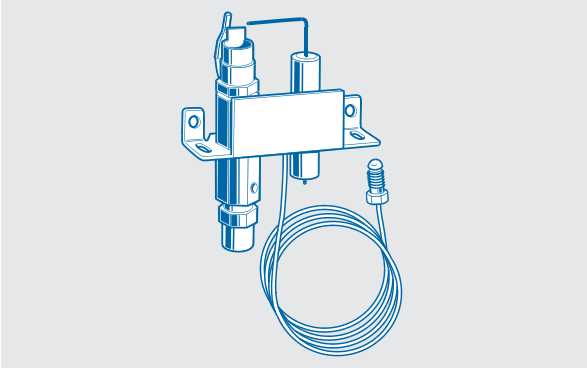
(5) see Accessories pag. 23

ACCESSORIES



N.	CODE	Description	Quantity
1	0.941.109	TC clip	100
2	0.941.105	Spark electrode clip	100
3a	0.915.082	Spark electrode with lead L18" and female faston \varnothing 2,36 mm	100
3b	0.915.084	Spark electrode with lead L24" and female faston \varnothing 2,36 mm	100
3c	0.915.085	Spark electrode with lead L30" and female faston \varnothing 2,36 mm	100
4a	0.958.075	Nut for \varnothing 1/4" (7/16" L13 s1/2")	100
4b	0.958.166	Nut for \varnothing 1/8" (7/16" L13 s1/2")	100
5a	0.957.005	\varnothing 1/4" olive	100
5b	0.957.214	\varnothing 1/8" olive	100
6a	0.977.377	\varnothing 0.38 mm NG injector marked 24	100
6b	0.977.375	\varnothing 0.34 mm NG injector marked 23	100
6c	0.977.376	\varnothing 0.21 mm LPG injector marked 21	100

OXYPROTECTOR 8000 SERIES



CHARACTERISTICS

They can be supplied in various versions:

- 4 mm, 6 mm and 1/4" pilot tube shear-off
- with one-wire, double-wire or interrupted TC
- with or without spark electrode.

Features of all versions:

- single flame burner with vertical exit
- thermocouple welded on the burner
- energy consumption included between 160 W and 300 W.

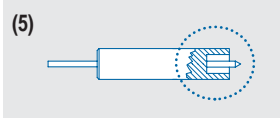
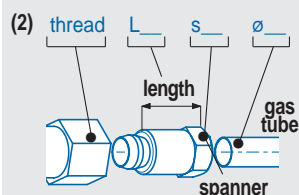
Oxygen Depletion Sensor (ODS) with single flame mainly for appliances burning Natural Gas. Suitable for unflued appliances of catalytic and infrared type, also suitable for particular blue flame burners where an ODS is a requirement. All components are integrated to guarantee performance and for quick and easy assembly on to gas appliances.

CODE	Injector ø [mm]	Gas Type ⁽¹⁾	Gas connection ⁽²⁾⁽⁴⁾	Bracket configuration ⁽³⁾	TC conductor ⁽⁴⁾	Magnet connect. nut	Spark electr. [mm] ⁽⁵⁾	Gas inlet ⁽⁶⁾
8400.8002.000	0.50	NG	M10x1 ø6 mm	B500	one-wire	M8x1	ø1.6	V
8400.8006.000	0.50	NG	M10x1 f ø6/ø4 mm/ø1/4"	B500	one-wire	M9x1	ø1.6	V
8400.8011.000	0.35	NG	M10x1 ø6 mm	B500	one-wire	M8x1	ø1.6	V
8400.8023.000	0.35	NG	M10x1 f ø6 mm	B500	one-wire	M9x1	ø1.6	V
8400.8026.000	0.50	NG	M10x1 L16 s10 ø1/4"	B500	double-wire	M9x1	ø1.6	V
8400.8031.000	0.35	NG	M10x1 f ø6 mm	B500	one-wire	M10x1	ø1.6	V
8400.8032.000	0.35	NG	M10x1 f ø6 mm	B500	one-wire	M10x1	ø1.6	V
8400.8034.000	0.35	NG	M10x1 f ø6/ø4 mm/ø1/4"	B500	one-wire	M9x1		O
8400.8036.300	0.35	NG	M10x1 f ø6 mm	B500	one-wire	M8x1	ø1.6	V
8400.8037.000	0.35	NG	M10x1 L16 s10 ø6 mm	B500	one-wire interr.	M9x1	ø1.6	O
8400.8039.000	0.35	NG	M10x1 f ø6/ø4 mm/ø1/4"	B500	one-wire interr. (F)	M9x1	ø1.6	O

(1) NG: 11th family gas
(natural gas).

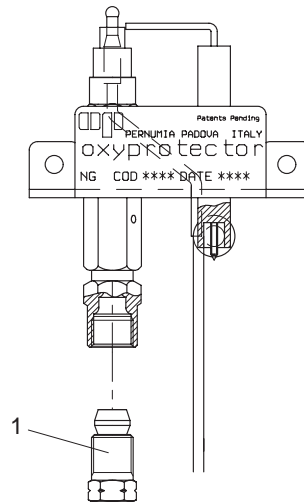
(3) see pag. 51

(4) F: faston f: female



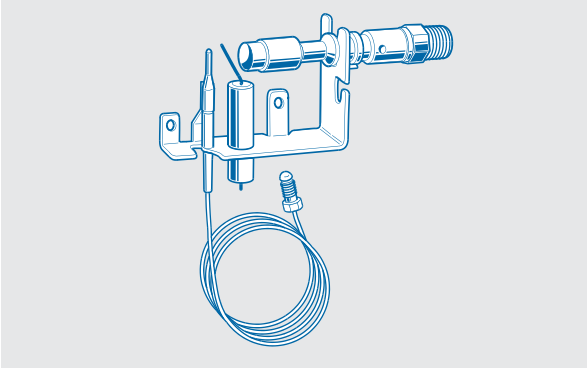
(6) V: vertical
O: horizontal

ACCESSORIES



N.	CODE	Description	Quantity
1a	0.958.032	ø1/4" pilot tube shear-off (M10x1 L16 s10)	100
1b	0.958.031	ø6 mm pilot tube shear-off (M10x1 L16 s10)	100
1c	6110.9000.027	ø4 mm pilot tube shear-off (M10x1 L13 s10)	

OXYPROTECTOR 8200 SERIES



CHARACTERISTICS

They can be supplied in various versions:

- 4 mm, 6 mm and 1/4" pilot tube shear-off and 5 mm (3/16") tube
- with or without thermopile support
- with one-wire or interrupted thermocouple.

Features of all versions:

- single flame burner with horizontal exit
- thermocouple welded on the burner
- energy consumption approximately 166 W.

Oxygen Depletion Sensor (ODS) with single flame mainly for appliances burning Natural Gas. Suitable for appliances equipped with atmospheric, catalytic or infrared burners.

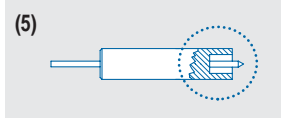
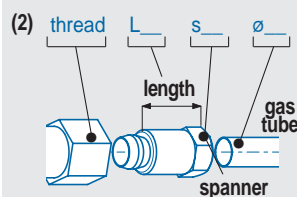
All components are integrated to guarantee performance and for quick and easy assembly on the gas appliance.

CODE	Injector ø [mm]	Gas type ⁽¹⁾	Gas connection ⁽²⁾⁽⁴⁾	Bracket configuration ⁽³⁾	TC conductor ⁽⁴⁾	Magnet connect. nut	Spark electr.[mm] ⁽⁴⁾⁽⁵⁾	Thermopile support
8400.8202.000	0.35	NG	3/8" 24UNF 2A ø5 mm	B501	one-wire	M8x1	ø1.6	
8400.8203.000	0.44	NG	3/8" 24UNF 2B ø5 mm	B501	one-wire	M8x1	ø1.6	
8400.8204.000	0.35	NG	3/8" 24UNF 2A ø5 mm	B501	one-wire	M8x1	ø1.6	●
8400.8205.000	0.35	NG	3/8" 24UNF 2B ø5 mm	B501	one-wire	M8x1	ø1.6	●
8400.8208.000	0.44	NG	M10x1 L13 s10 ø4 mm	B501	one-wire	M9x1	ø1.6	
8400.8209.000	0.35	NG	M10x1 f ø6/ø4 mm/ø1/4"	B501	one-wire	11/32"	ø1.6	●
8400.8210.000	0.35	NG	M10x1 f ø6/ø4 mm/ø1/4"	B501	one-wire	11/32"	ø1.6	
8400.8213.000	0.44	NG	3/8" 24UNF 2A ø5 mm	B501	one-wire	M8x1	ø1.6	
8400.8214.000	0.44	NG	3/8" 24UNF 2A ø5 mm	B501	one-wire	M8x1	ø1.6	●
8400.8215.000	0.35	NG	3/8" 24UNF 2A ø5 mm	B501	one-wire	M8x1	ø1.6	●
8400.8218.000	0.44	NG	3/8" 24UNF 2A ø5 mm	B502	one-wire	M8x1	ø1.6	●
8400.8221.000	0.44	NG	3/8" 24UNF 2A ø5 mm	B502	one-wire	M8x1	ø1.6	
8400.8222.000	0.35	NG	M10x1 ø6 mm	B501	one-wire	M8x1	F 2.8x0.65	

(1) NG: IInd family gas (natural gas).

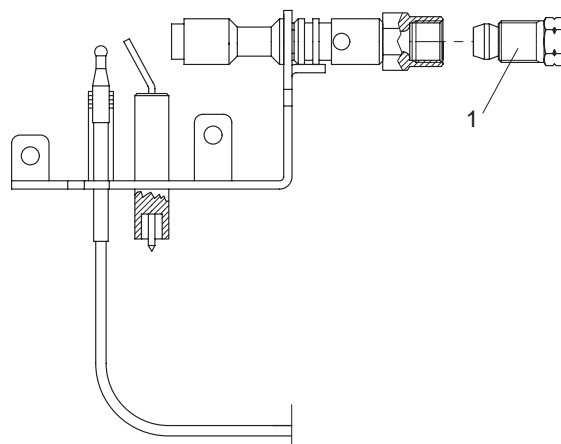
(3) see pag. 51

(4) F: faston f: female



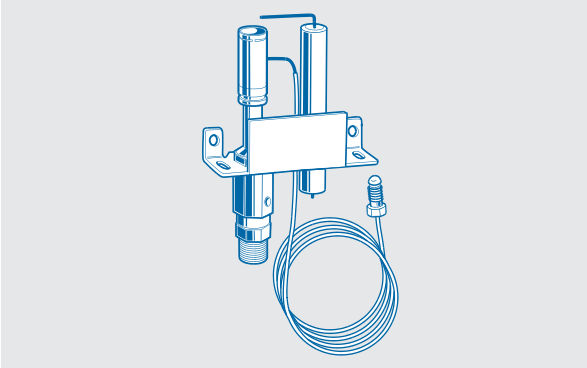
CODE	Injector ø [mm]	Gas type ⁽¹⁾	Gas connection ^{(2) (4)}	Bracket configuration ⁽³⁾	TC conductor ⁽⁴⁾	Magnet connect. nut	Spark electr.[mm] ^{(4) (5)}	Thermopile support
8400.8224.000	0.44	NG	3/8" 24UNF 2A ø5 mm	B502	one-wire	M8x1	ø1.6	
8400.8227.000	0.44	NG	M10x1 f ø6/ø4 mm/ø1/4"	B501	one-wire	M9x1	ø1.6	●
8400.8228.000	0.44	NG	M10x1 f ø6/ø4 mm/ø1/4"	B501	one-wire	11/32"	ø1.6	
8400.8231.000	0.35	NG	M10x1 f ø6/ø4 mm/ø1/4"	B501	one-wire	M9x1	ø1.6	
8400.8234.000	0.35	NG	M10x1 ø6 mm	B501	one-wire	M8x1	F 2.8x0.65	
8400.8235.000	0.44	NG	3/8" 24UNF 2A ø5 mm	B502	one-wire interr. (F)	M8x1	ø1.6	
8400.8237.000	0.44	NG	M10x1 f ø6/ø4 mm/ø1/4"	B501	one-wire	11/32"	ø1.6	●
8400.8238.000	0.44	NG	M10x1 f ø6/ø4 mm/ø1/4"	B501	one-wire interr. (F)	M9x1	ø1.6	
8400.8250.000	0.58	NG	3/8" 24UNF 2A ø5 mm	B501	one-wire	M8x1	ø1.6	
8400.8251.000	0.40	NG	3/8" 24UNF 2A ø5 mm	B502	one-wire	M8x1	ø1.6	
8400.8252.000	0.40	NG	3/8" 24UNF 2A ø5 mm	B502	one-wire	M8x1	ø1.6	●
8400.8257.000	0.40	NG	3/8" 24UNF 2A ø5 mm	B502	one-wire interr. (F)	M8x1	ø1.6	

ACCESSORIES



N.	CODE	Description	Quantity
1a	0.958.032	ø1/4" pilot tube shear-off (M10x1 L16 s10)	100
1b	0.958.031	ø6 mm pilot tube shear-off (M10x1 L16 s10)	100
1c	6110.9000.027	ø4 mm pilot tube shear-off (M10x1 L13 s10)	

OXYPROTECTOR 8300 SERIES



CHARACTERISTICS

They can be supplied in various versions:

- 4 mm, 6 mm and 1/4" pilot tube shear-off and 5 mm (3/16") tube
- with one-wire, double-wire or interrupted TC
- with or without Anti Tilt Switch (ATS).

Features of all versions:

- single flame burner with vertical exit
- thermocouple welded on the burner
- energy consumption approximately 145 W.

Oxygen Depletion Sensor (ODS) with single flame mainly for appliances burning LPG. Suitable for unflued appliances using catalytic or infrared type burners, also suitable for blue flame burners where an ODS is a requirement.

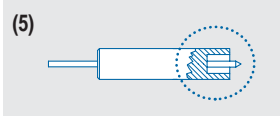
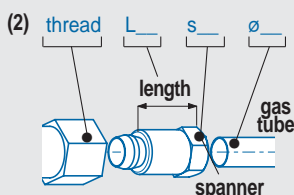
All components are integrated to guarantee performance and for quick and easy assembly on to the gas appliance.

CODE	Injector ø [mm]	Gas type ⁽¹⁾	Gas connection ⁽²⁾⁽⁴⁾	Bracket configuration ⁽³⁾	TC conductor ⁽⁴⁾	Magnet connect. nut	Spark electr.[mm] ⁽⁵⁾	Gas inlet ⁽⁶⁾
8400.8303.000	0.20	LPG	M10x1 f ø6/ø4 mm/ø1/4"	B500	one-wire	M8x1	ø1.6	V
8400.8304.000	0.20	LPG	M10x1 ø6 mm	B500	one-wire	M8x1	ø1.6	V
8400.8307.000	0.20	LPG	M10x1 f ø6/ø4 mm/ø1/4"	B500	one-wire	M9x1	ø1.6	V
8400.8311.000	0.20	LPG	M10x1 L16 s10 ø1/4"	B500	double-wire	M9x1	ø1.6	V
8400.8322.000	0.20	LPG	M10x1 f ø6/ø4 mm/ø1/4"	B500	one-wire	M9x1	ø1.6	V
8400.8324.000	0.20	LPG	M10x1 f ø6/ø4 mm/ø1/4"	B500	one-wire	M10x1	ø1.6	V
8400.8327.000	0.20	LPG	M10x1 L13 s10 ø4 mm	B500	one-wire	M9x1	ø1.6	V
8400.8336.000	0.20	LPG	M10x1 ø6 mm	B500	one-wire	M8x1	ø1.6	V
8400.8337.000	0.20	LPG	M10x1 ø6 mm	B500	one-wire	M8x1	ø1.6	V
8400.8338.000	0.20	LPG	M10x1 ø5 mm	B500	one-wire	M8x1	ø1.6	V
8400.8339.000	0.20	LPG	M10x1 ø6 mm	B500	one-wire	M8x1	ø1.6	V
8400.8341.000	0.20	LPG	M10x1 ø6 mm	B500	one-wire	M8x1	ø1.6	V
8400.8343.000	0.20	LPG	M10x1 ø6 mm	B500	one-wire interr. (F)	M8x1	ø1.6	V

(1) LPG: IIIrd family gas.

(3) see pag. 51

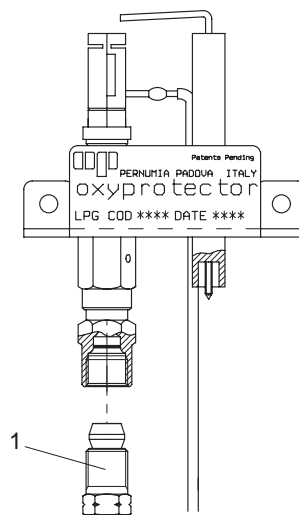
(4) F: faston f: female
ATS: Anti Tilt Switch



(6) V: vertical
O: horizontal

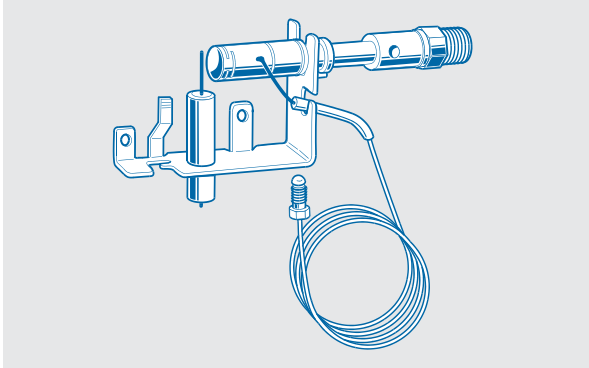
CODE	Injector ø [mm]	Gas type ⁽¹⁾	Gas connection ^{(2) (4)}	Bracket configuration ⁽³⁾	TC conductor ⁽⁴⁾	Magnet connect. nut	Spark electr.[mm] ⁽⁵⁾	Gas inlet ⁽⁶⁾
8400.8344.000	0.20	LPG	M10x1 f ø6/ø4 mm/ø1/4"	B500	one-wire	M8x1	ø1.6	V
8400.8345.000	0.20	LPG	M10x1 L13 s10 ø4 mm	B500	one-wire	M8x1	ø1.6	O
8400.8346.000	0.20	LPG	M10x1 f ø6/ø4 mm/ø1/4"	B500	one-wire	M8x1	ø1.6	V
8400.8347.000	0.20	LPG	M10x1 L16 s10 ø6 mm	B500	one-wire interr.	M9x1	ø1.6	O
8400.8348.000	0.22	LPG	M10x1 ø6 mm	B500	one-wire	M8x1	ø1.6	V
8400.8355.000	0.20	LPG	M10x1 ø6 mm	B500	one-wire interr. (ATS)	M8x1	ø1.6	V
8400.8359.000	0.20	LPG	M10x1 ø6 mm	B500	one-wire interr. (ATS)	M8x1	ø1.6	V
8400.8360.000	0.20	LPG	M10x1 f ø6/ø4 mm/ø1/4"	B500	one-wire interr. (ATS)	M9x1	ø1.6	V
8400.8361.000	0.22	LPG	M10x1 ø6 mm	B500	one-wire interr. (ATS)	M8x1	ø1.6	V

ACCESSORIES



N.	CODE	Description	Quantity
1a	0.958.032	ø1/4" pilot tube shear-off (M10x1 L16 s10)	100
1b	0.958.031	ø6 mm pilot tube shear-off (M10x1 L16 s10)	100
1c	6110.9000.027	ø4 mm pilot tube shear-off (M10x1 L13 s10)	

OXYPROTECTOR 8400 SERIES



CHARACTERISTICS

They can be supplied in various versions:

- 4 mm, 6 mm and 1/4" pilot tube shear-off and 5 mm (3/16") tube
- with or without thermopile support
- different types of brackets
- with one-wire or interrupted thermocouple.

Features of all versions:

- single flame burner with horizontal exit
- thermocouple welded on the burner
- energy consumption approximately 166 W.

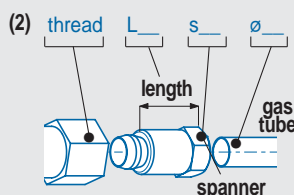
Oxygen Depletion Sensor (ODS) with single flame suitable mainly for appliances burning LPG. Suitable for appliances equipped with atmospheric, catalytic or infrared burners.

All components are integrated to guarantee performance and for quick and easy assembly on to the gas appliance.

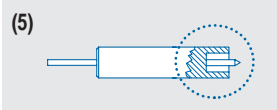
CODE	Injector ø [mm]	Gas type ⁽¹⁾	Gas connection ⁽²⁾⁽⁴⁾	Bracket configuration ⁽³⁾	TC conductor ⁽⁴⁾	Magnet connect. nut	Spark electr.[mm] ⁽⁵⁾	Thermopile support
8400.8401.000	0.22	LPG	M10x1 f ø6/ø4 mm/ø1/4"	B501	one-wire	M8x1	ø1.6	
8400.8402.000	0.22	LPG	3/8" 24UNF 2A ø5 mm	B501	one-wire	M8x1	ø1.6	
8400.8404.000	0.22	LPG	3/8" 24UNF 2A ø5 mm	B501	one-wire	M8x1	ø1.6	●
8400.8405.000	0.22	LPG	3/8" 24UNF 2B ø5 mm	B501	one-wire	M8x1	ø1.6	●
8400.8409.000	0.22	LPG	M10x1 f ø6/ø4 mm/ø1/4"	B501	one-wire	11/32"	ø1.6	●
8400.8413.000	0.22	LPG	3/8" 24UNF 2A ø5 mm	B501	one-wire	M8x1	ø1.6	●
8400.8414.000	0.22	LPG	3/8" 24UNF 2A ø5 mm	B502	one-wire	M8x1	ø1.6	●
8400.8417.000	0.22	LPG	3/8" 24UNF 2A ø5 mm	B501	one-wire	M8x1	ø1.6	
8400.8418.000	0.22	LPG	3/8" 24UNF 2A ø5 mm	B502	one-wire	M8x1	ø1.6	
8400.8420.000	0.22	LPG	3/8" 24UNF 2A ø5 mm	B502	one-wire	M8x1	ø1.6	
8400.8423.000	0.22	LPG	M10x1 f ø6/ø4 mm/ø1/4"	B501	one-wire	11/32"	ø1.6	
8400.8424.000	0.22	LPG	M10x1 f ø6/ø4 mm/ø1/4"	B501	one-wire	11/32"	ø1.6	
8400.8427.000	0.22	LPG	M10x1 f ø6/ø4 mm/ø1/4"	B501	one-wire	11/32"	ø1.6	●

(1) LPG: IIIrd family gas.

(3) see pag. 51

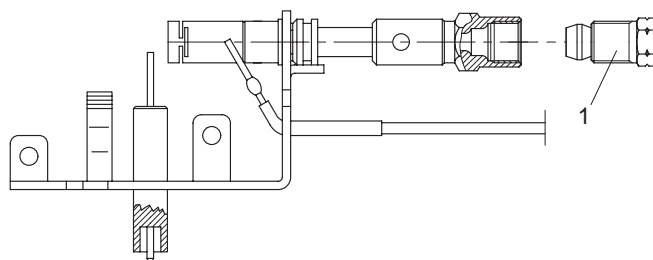


(4) F: faston f: female



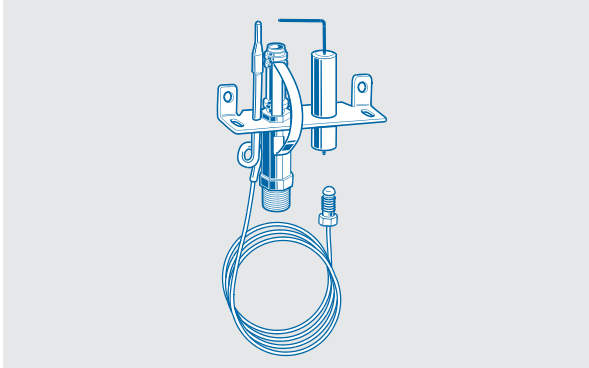
CODE	Injector ø [mm]	Gas type ⁽¹⁾	Gas connection ⁽²⁾⁽⁴⁾	Bracket configuration ⁽³⁾	TC conductor ⁽⁴⁾	Magnet connect. nut	Spark electr.[mm] ⁽⁵⁾	Thermopile support
8400.8428.000	0.22	LPG	3/8" 24UNF 2A ø5 mm	B501	one-wire	M8x1	ø1.6	●
8400.8431.000	0.22	LPG	3/8" 24UNF 2A ø5 mm	B502	one-wire	M8x1	ø1.6	
8400.8432.000	0.22	LPG	3/8" 24UNF 2A ø5 mm	B502	one-wire interr. (F)	M8x1	ø1.6	
8400.8433.000	0.22	LPG	M10x1 f ø6/ø4 mm/ø1/4"	B501	one-wire interr. (F)	M9x1	ø1.6	
8400.8434.000	0.22	LPG	3/8" 24UNF 2A ø5 mm	B501	one-wire	M8x1	ø1.6	●

ACCESSORIES



N.	CODE	Description	Quantity
1a	0.958.032	ø1/4" pilot tube shear-off (M10x1 L16 s10)	100
1b	0.958.031	ø6 mm pilot tube shear-off (M10x1 L16 s10)	100
1c	6110.9000.027	ø4 mm pilot tube shear-off (M10x1 L13 s10)	

OXYPROTECTOR 8550 SERIES



CHARACTERISTICS

They can be supplied in various versions:

- 6 mm pilot tube shear-off and 5 mm (3/16") tube

Features of all versions:

- single flame burner with vertical exit
- the bimetal strip makes it suitable for usage on to critical applications (poor quality gases)
- energy consumption approximately 125 W.

Oxygen Depletion Sensor (ODS) with single flame mainly for unflued appliances burning LPG. Suitable for appliances equipped with catalytic and infrared burners.

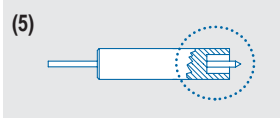
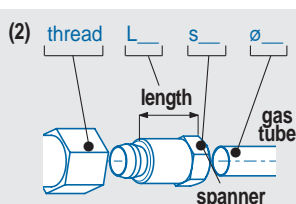
All components are integrated to guarantee performance and for quick and easy assembly on to the gas appliance.

CODE	Injector ø [mm]	Gas type ⁽¹⁾	Gas connection ^{(2),(4)}	Bracket configuration ⁽³⁾	TC conductor	Magnet connection nut	Spark electrode[mm] ^{(4),(5)}
8400.8550.000	0.20	LPG	M10x1 ø6 mm	B503	one-wire	M8x1	ø1.6
8400.8551.000	0.20	LPG	M10x1 ø6 mm	B503	one-wire	M8x1	ø1.6
8400.8557.000	0.18	LPG	M10x1 ø6 mm	B503	one-wire	M8x1	ø1.6
8400.8566.000	0.22	LPG	M10x1 ø6 mm	B503	one-wire	M8x1	F 2.8x0.65
8400.8567.000	0.20	LPG	M10x1 ø5 mm	B503	one-wire	M8x1	F 2.8x0.65
8400.8568.000	0.22	LPG	M10x1 ø6 mm	B503	one-wire	M8x1	ø1.6
8400.8569.000	0.22	LPG	M10x1 f ø6 mm	B503	one-wire	M8x1	ø1.6
8400.8570.000	0.20	LPG	M10x1 ø5 mm	B503	one-wire	M8x1	ø1.6
8400.8573.000	0.20	LPG	M10x1 ø5 mm	B503	one-wire	M8x1	ø1.6
8400.8575.000	0.26	LPG	M10x1 ø6 mm	B503	one-wire	M8x1	ø1.6
8400.8577.000	0.22	LPG	M10x1 ø6 mm	B503	one-wire	M8x1	ø1.6

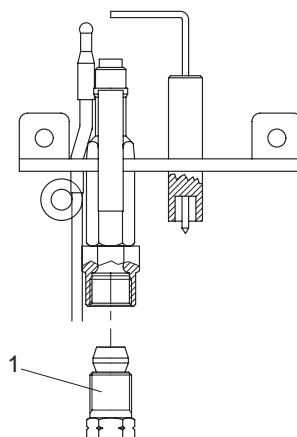
(1) LPG: IIIrd family gas.

(3) see pag. 51

(4) F: faston f: female

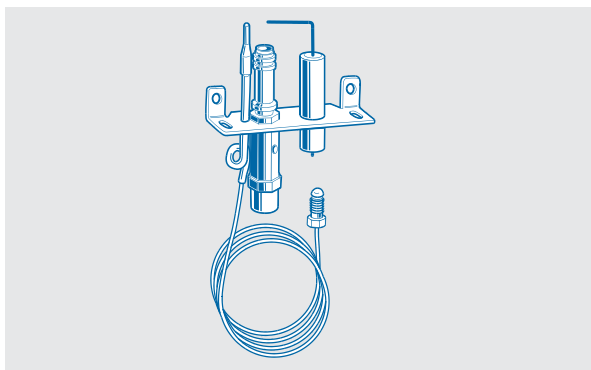


ACCESSORIES



N.	CODE	Description	Quantity
1	0.958.031	ø6 mm pilot tube shear-off (M10x1 L16 s10)	100

OXYPROTECTOR 85/86/8750 SERIES



CHARACTERISTICS

They can be supplied in various versions:

- 4 mm, 6 mm e 1/4" pilot tube shear-off
- with one-wire or interrupted thermocouple
- with or without spark electrode
- with or without Anti Tilt Switch (ATS)
- multigas version for LPG and NG.

Features of all versions:

- single flame burner with vertical exit
- energy consumption approximately 125 W.

Oxygen Depletion Sensor (ODS) with single flame mainly for unflued appliances burning LPG and NG.

Suitable for appliances equipped with catalytic and infrared burners.

All components are integrated to guarantee performance and for quick and easy assembly on to the gas appliance.

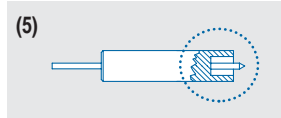
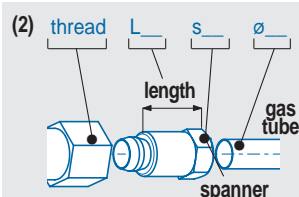
CODE	Injector ø [mm]	Gas type ⁽¹⁾	Gas connection ⁽²⁾⁽⁴⁾	Bracket configuration ⁽³⁾	TC conductor ⁽⁴⁾	Magnet connection nut ⁽⁴⁾	Spark electr.[mm] ⁽⁴⁾⁽⁵⁾
8400.8501.000	0.20	LPG	M10x1 f ø6 mm	B503	one-wire	M8x1	ø1.6
8400.8502.000	0.20	LPG	M10x1 ø6 mm	B503	one-wire	M8x1	ø1.6
8400.8503.000	0.20	LPG	M10x1 f ø6 mm	B503	one-wire	M8x1	ø1.6
8400.8504.000	0.18	LPG	M10x1 ø6 mm	B503	one-wire	M8x1	ø1.6
8400.8505.000	0.20	LPG	M10x1 ø6 mm	B503	one-wire	M8x1	F 2.8x0.65
8400.8507.000	0.20	LPG	M10x1 f ø6/ø4 mm/ø1/4"	B504	one-wire	M8x1	F 2.8x0.65
8400.8508.000	0.20	LPG	M10x1 ø6 mm	B503	one-wire	M8x1	F 2.8x0.65
8400.8509.000	0.18	LPG	M10x1 ø6 mm	B503	one-wire	M8x1	ø1.6
8400.8510.000	0.20	LPG	M10x1 ø6 mm	B503	one-wire	M8x1	ø1.6
8400.8511.000	0.20	LPG	M10x1 ø6 mm	B503	one-wire	M8x1	ø1.6
8400.8512.000	0.20	LPG	M10x1 f ø6/ø4 mm/ø1/4"	B503	one-wire	M8x1	ø1.6
8400.8513.000	0.20	LPG	M10x1 ø6 mm	B503	one-wire interr. (ATS)	M8x1	F 2.8x0.65
8400.8514.000	0.18	LPG	M10x1 f ø6 mm	B503	one-wire	M8x1	ø1.6
8400.8515.000	0.20	LPG	M10x1 ø6 mm	B503	one-wire	M8x1	ø1.6
8400.8517.000	0.20	LPG	M10x1 f ø6/ø4 mm/ø1/4"	B503	one-wire	M8x1	F 2.8x0.65
8400.8518.000	0.18	LPG	M10x1 f ø6/ø4 mm/ø1/4"	B503	one-wire	M8x1	ø1.6
8400.8519.000	0.20	LPG	M10x1 f ø6/ø4 mm/ø1/4"	B503	one-wire	M8x1	ø1.6
8400.8520.000	0.20	LPG	M10x1 ø6 mm	B503	one-wire	M8x1	F 2.8x0.65
8400.8521.000	0.20	LPG	M10x1 ø6 mm	B504	one-wire	F f 7.7x0.8	ø1.6

CODE	Injector ø [mm]	Gas type ⁽¹⁾	Gas connection ⁽²⁾⁽⁴⁾	Bracket configuration ⁽³⁾	TC conductor ⁽⁴⁾	Magnet connection nut ⁽⁴⁾	Spark electr.[mm] ⁽⁴⁾⁽⁵⁾
8400.8522.000	0.20	LPG	M10x1 ø6 mm	B504	one-wire	M8x1	ø1.6
8400.8523.000	0.20	LPG	M10x1 ø6 mm	B503	one-wire interr. (ATS)	M8x1	F 2.8x0.65
8400.8524.000	0.18	LPG	M10x1 ø6 mm	B503	one-wire	M8x1	ø1.6
8400.8525.000	0.20	LPG	M10x1 f ø6/ø4 mm/ø1/4"	B503	one-wire	M8x1	ø1.6
8400.8526.000	0.20	LPG	M10x1 ø6 mm	B503	one-wire	M8x1	ø1.6
8400.8527.000	0.20	LPG	M10x1 f ø6/ø4 mm/ø1/4"	B503	one-wire	M10x1	ø1.6
8400.8528.000	0.20	LPG	M10x1 ø6 mm	B503	one-wire interr. (ATS)	M8x1	ø1.6
8400.8529.000	0.18	LPG	M10x1 ø6 mm	B503	one-wire	M8x1	ø1.6
8400.8531.000	0.20	LPG	M10x1 ø6 mm	B503	one-wire	M8x1	ø1.6
8400.8532.000	0.20	LPG	M10x1 ø6 mm	B503	one-wire	M8x1	ø1.6
8400.8533.000	0.20	LPG	M10x1 ø6 mm	B503	one-wire	M8x1	ø1.6
8400.8535.000	0.20	LPG	M10x1 ø6 mm	B504	one-wire	F f 7.7x0.8	ø1.6
8400.8539.000	0.20	LPG	M10x1 ø6 mm	B503	one-wire	M8x1	ø1.6
8400.8541.000	0.20	LPG	M10x1 ø6 mm	B503	one-wire	M8x1	ø1.6
8400.8542.000	0.18	LPG	M10x1 f ø6 mm	B503	one-wire	M8x1	ø1.6
8400.8544.000	0.20	LPG	M10x1 ø6 mm	B503	one-wire	M8x1	F 2.8x0.65
8400.8546.000	0.20	LPG	M10x1 ø6 mm	B503	one-wire	M8x1	ø1.6
8400.8548.000	0.20	LPG	M10x1 ø6 mm	B503	one-wire	M8x1	ø1.6
8400.8549.000	0.20	LPG	M10x1 ø6 mm	B503	one-wire interr. (ATS)	M8x1	ø1.6
8400.8601.000	0.30	NG	M10x1 ø6 mm	B503	one-wire	M8x1	ø1.6
8400.8602.000	0.30	NG	M10x1 f ø6/ø4 mm/ø1/4"	B503	one-wire	M8x1	ø1.6
8400.8603.000	0.30	NG	M10x1 f ø6/ø4 mm/ø1/4"	B503	one-wire	M8x1	ø1.6
8400.8607.000	0.30	NG	M10x1 f ø6/ø4 mm/ø1/4"	B503	one-wire	M8x1	F 2.8x0.65
8400.8608.000	0.30	NG	M10x1 f ø6/ø4 mm/ø1/4"	B503	one-wire	M10x1	ø1.6
8400.8609.000	0.30	NG	M10x1 ø6 mm	B503	one-wire	M8x1	F 2.8x0.65
8400.8610.000	0.30	NG	M10x1 ø6 mm	B503	one-wire interr. (ATS)	M8x1	F 2.8x0.65
8400.8612.000	0.30	NG	M10x1 ø6 mm	B503	one-wire	M8x1	F 2.8x0.65
8400.8615.000	0.30	NG	M10x1 ø6 mm	B503	one-wire	M8x1	ø1.6
8400.8750.000	0.20/0.30	LPG/NG	M10x1 f ø6/ø4 mm/ø1/4"	B503	one-wire	M8x1	ø1.6
8400.8751.000	0.30	NG	M10x1 f ø6/ø4 mm/ø1/4"	B503	one-wire	M9x1	ø1.6
8400.8752.000	0.30	NG	M10x1 f ø6/ø4 mm/ø1/4"	B503	one-wire interr. (F)	M9x1	ø1.6
8400.8753.000	0.20/0.30	LPG/NG	M10x1 f ø6/ø4 mm/ø1/4"	B503	one-wire	11/32"	ø1.6
8400.8754.000	0.20/0.30	LPG/NG	M10x1 f ø6/ø4 mm/ø1/4"	B503	one-wire	11/32"	
8400.8755.000	0.20/0.30	LPG/NG	M10x1 f ø6/ø4 mm/ø1/4"	B503	one-wire	M9x1	ø1.6
8400.8756.000	0.20/0.30	LPG/NG	M10x1 f ø6/ø4 mm/ø1/4"		one-wire	M9x1	

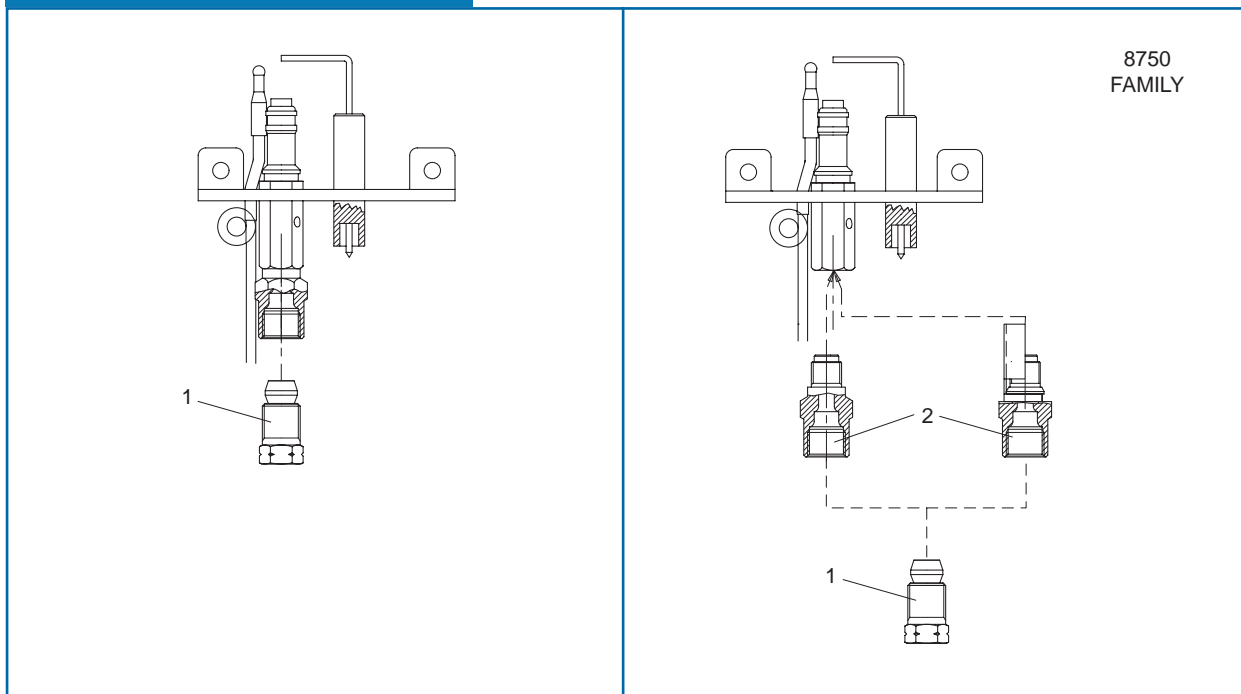
(1) LPG: IIIrd family gas
NG: IInd family gas
(natural gas)

(3) see pag. 51

(4) F: faston f: female
ATS: Anti Tilt Switch



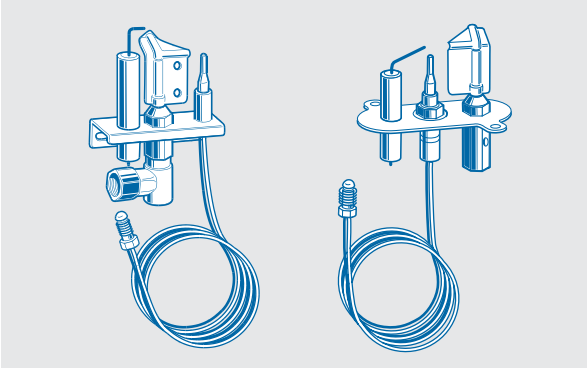
ACCESSORIES



N.	CODE	Description	Quantity
1a	0.958.032	ø1/4" pilot tube shear-off (M10x1 L16 s10)	100
1b	0.958.031	ø6 mm pilot tube shear-off (M10x1 L16 s10)	100
1c	6110.9000.027	ø4 mm pilot tube shear-off (M10x1 L13 s10)	
2a	7400.8750.101	ø0.20 mm LPG injector assembly for 8750 family	
2b	7400.8750.100	ø0.30 mm NG injector assembly for 8750 family	



OXYPILOT 9000 SERIES



CHARACTERISTICS

They can be supplied in various versions:

- 4 mm, 6 mm e 1/4" pilot tube shear-off
- different types of brackets and different orientations
- with one-wire, double-wire, wireless or interrupted TC
- with or without Anti Tilt Switch (ATS)
- multigas version for LPG and NG.

Features of all versions:

- two flame burner with vertical exit
- energy consumption approximately 145 W (LPG) or 166 W (NG).

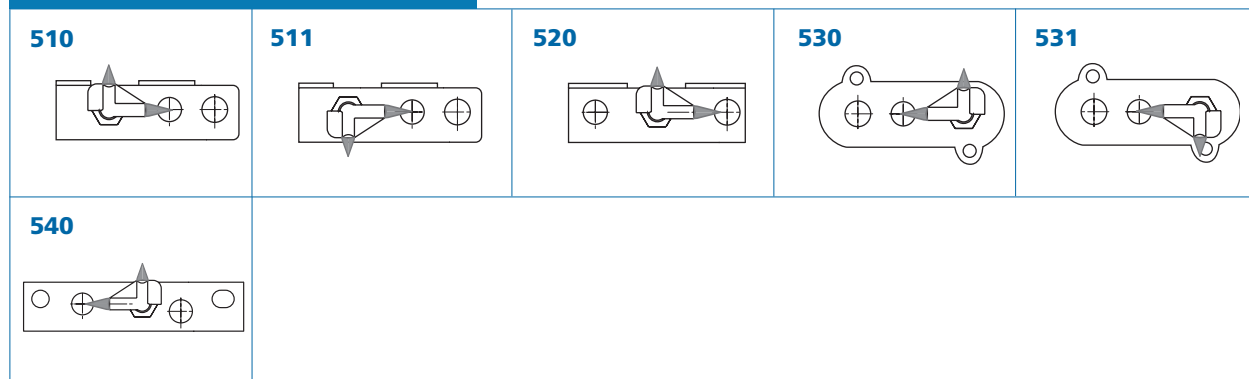
Oxygen Depletion Sensor (ODS) with two flames and angled flame hood for an easier ignition of main burner. Used mainly on horizontal burners: decorative gas fires, instantaneous gas water heaters and gas boilers.

It is a reliable device which solves many application difficulties due to its high performance.

CODE	Injector ø [mm]	Gas type ⁽¹⁾	Gas connection ^{(2) (5)}	Orienta- tion ⁽³⁾	Bracket config. ⁽⁴⁾	TC conductor ⁽⁵⁾	Magnet conn. nut ⁽⁵⁾	Spark electr.[mm] ⁽⁵⁾⁽⁶⁾	Gas inlet ⁽⁷⁾
8400.9002.000	0.33	NG	M10x1 f ø6/ø4 mm/ø1/4"	510	B505	double-wire	M9x1	ø1.6	V
8400.9003.000	0.33	NG	M10x1 f ø6/ø4 mm/ø1/4"	510	B505			F2.8x0.5	V
8400.9005.000	0.33	NG	M10x1 L13 s10 ø4 mm	510	B505	double-wire	M9x1	F2.8x0.5	V
8400.9013.000	0.35	NG	M10x1 f ø6/ø4 mm/ø1/4"	510	B505			F2.8x0.5	O
8400.9017.000	0.33	NG	M10x1 L13 s10 ø4 mm	510	B505	double-wire	M8x1	F2.8x0.5	O
8400.9018.000	0.33	NG	M10x1 L13 s10 ø4 mm	510	B505	double-wire	M9x1	filo con F2.8x0.5	O
8400.9019.000	0.33	NG	M10x1 L13 s10 ø4 mm	510	B505	double-wire	M9x1	filo con F2.8x0.5	O
8400.9021.000	0.33	NG	1/8" f BSP B ø4 mm	510	B505	double-wire	M9x1	filo con Fø2.36	V
8400.9022.000	0.33	NG	M10x1 L13 s10 ø4 mm	510	B505	double-wire	M8x1	F2.8x0.5	V
8400.9027.000	0.33	NG	M10x1 L13 s10 ø4 mm	510	B505	double-wire	M9x1	F2.8x0.5	O
8400.9029.000	0.33	NG	M10x1 L13 s10 ø4 mm	510	B506	double-wire	11/32"	F2.8x0.5	O
8400.9030.000	0.33	NG	M10x1 L13 s10 ø4 mm	510	B505	double-wire	M10x1	F2.8x0.5	O
8400.9031.000	0.33	NG	M10x1 L13 s10 ø4 mm	510	B506	double-wire	M10x1	F2.8x0.5	V
8400.9033.000	0.33	NG	M10x1 L13 s10 ø4 mm	510	B505	double-wire	M9x1	F2.8x0.5	V
8400.9035.000	0.33	NG	M10x1 f ø6/ø4 mm/ø1/4"	510	B505	double-wire	M9x1	F2.8x0.5	O
8400.9036.000	0.33	NG	M10x1 f ø6/ø4 mm/ø1/4"	510	B505	double-wire	M9x1	F2.8x0.5	O
8400.9037.000	0.33	NG	M10x1 L13 s10 ø4 mm	510	B505	double-wire	M9x1	F2.8x0.5	O
8400.9038.000	0.33	NG	M10x1 L16 s10 ø6 mm	510	B505	double-wire	M9x1	F2.8x0.5	V
8400.9039.000	0.33	NG	M10x1 L13 s10 ø4 mm	510	B505	double-wire	M9x1	F2.8x0.5	O

CODE	Injector ø [mm]	Gas type ⁽¹⁾	Gas connection ⁽²⁾⁽⁵⁾	Orienta- tion ⁽³⁾	Bracket config. ⁽⁴⁾	TC conductor ⁽⁵⁾	Magnet conn. nut ⁽⁵⁾	Spark electr.[mm] ⁽⁵⁾⁽⁶⁾	Gas inlet ⁽⁷⁾
8400.9601.000	0.22	LPG	M10x1 L13 s10 ø4 mm	520	B507	double-wire	11/32"	F2.8x0.5	O
8400.9603.000	0.22	LPG	M10x1 L13 s10 ø4 mm	520	B507	double-wire	M9x1	F2.8x0.5	O
8400.9701.000	0.22/0.35	LPG/NG	M10x1 f ø6/ø4 mm/ø1/4"	530	B508	double-wire	M9x1	F2.8x0.5	V
8400.9704.000	0.22/0.35	LPG/NG	M10x1 f ø6/ø4 mm/ø1/4"	510	B505	double-wire	M10x1	F2.8x0.5	V
8400.9705.000	0.22/0.35	LPG/NG	M10x1 f ø6/ø4 mm/ø1/4"	530	B508	double-wire	M9x1	F2.8x0.5	V
8400.9706.000	0.30	NG	M10x1 f ø6/ø4 mm/ø1/4"	530	B508	double-wire	M8x1	F2.8x0.5	O
8400.9707.000	0.30	NG	M10x1 L13 s10 ø4 mm	531	B508	one-wire	M9x1	F2.8x0.5	O
8400.9708.000	0.22/0.35	LPG/NG	M10x1 f ø6/ø4 mm/ø1/4"	510	B505	double-wire	M9x1	ø1.6	V
8400.9709.000	0.35	NG	M10x1 f ø6/ø4 mm/ø1/4"	530	B508	double-wire	M10x1	F2.8x0.5	V
8400.9712.000	0.22/0.35	LPG/NG	M10x1 f ø6/ø4 mm/ø1/4"	510	B505	one-wire	M10x1	ø1.6	V
8400.9713.000	0.22/0.35	LPG/NG	M10x1 f ø6/ø4 mm/ø1/4"	510	B505	one-wire	M8x1	ø1.6	V
8400.9714.000	0.33	NG	M10x1 f ø6/ø4 mm/ø1/4"	530	B508	one-wire	M9x1	F2.8x0.5	V
8400.9715.000	0.35	NG	M10x1 f ø6/ø4 mm/ø1/4"	530	B508	one-wire	M9x1	ø1.6	V
8400.9716.000	0.35	NG	M10x1 f ø6/ø4 mm/ø1/4"	530	B508	one-wire	M9x1	ø1.6	V
8400.9721.000	0.22	LPG	M10x1 f ø6/ø4 mm/ø1/4"	530	B508	double-wire	M10x1	F2.8x0.5	O
8400.9722.000	0.22	LPG	M10x1 f ø6/ø4 mm/ø1/4"	520	B507	double-wire	M10x1	F2.8x0.5	V
8400.9723.000	0.35	NG	M10x1 f ø6/ø4 mm/ø1/4"	540	B509	one-wire	M9x1	F2.8x0.5	V
8400.9724.000	0.33	NG	M10x1 f ø6/ø4 mm/ø1/4"	520	B507	double-wire	M9x1	F2.8x0.5	V
8400.9727.000	0.22/0.35	LPG/NG	M10x1 f ø6/ø4 mm/ø1/4"	511	B505	double-wire	M10x1	F2.8x0.5	V

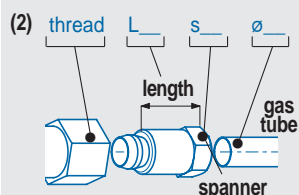
ORIENTATIONS



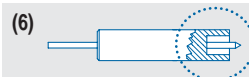
(1) LPG: IIIrd family gas
NG: IInd family gas
(natural gas)

(3) see pag. 41

(4) see pag. 52



(5) F: faston f: female
ATS: Anti Tilt Switch

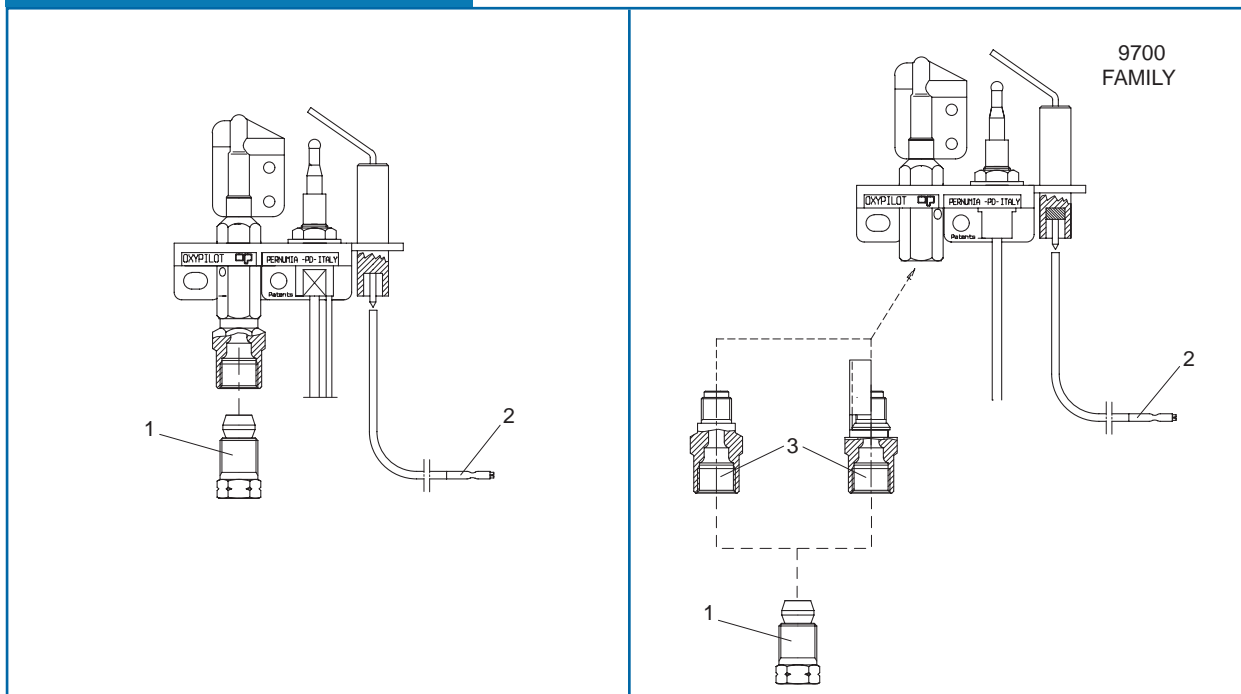


(7) V: vertical
O: horizontal

9000 SERIES



ACCESSORIES



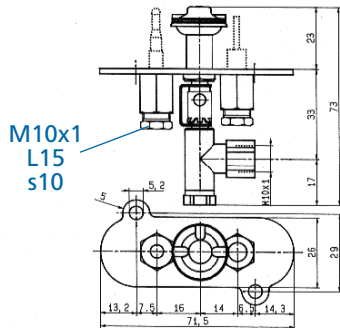
N.	CODE	Description	Quantity
1a	0.958.032	ø1/4" pilot tube shear-off (M10x1 L16 s10)	100
1b	0.958.031	ø6 mm pilot tube shear-off (M10x1 L16 s10)	100
1c	6110.9000.027	ø4 mm pilot tube shear-off (M10x1 L13 s10)	
2	3010.9000.040	Spark electrode lead with faston 2.8x0.5 mm	
3a	7400.9700.400	ø0.22 mm LPG injector assembly for 9700 family	
3b	7400.9700.300	ø0.35 mm NG injector assembly for 9700 family	



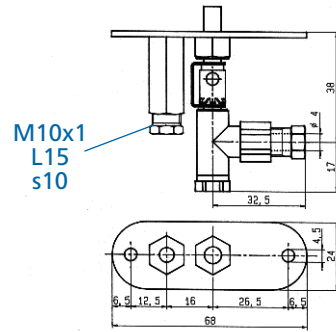
BRACKET CONFIGURATIONS

100 SERIES

E8



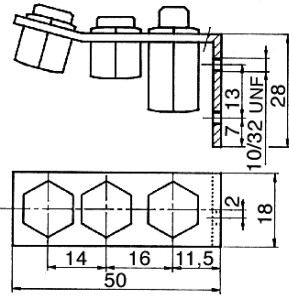
E10



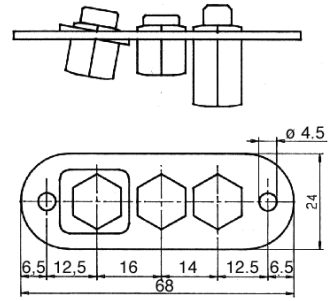
BRACKET CONFIGURATIONS

140-145-150 SERIES

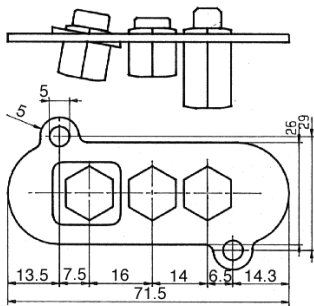
B1



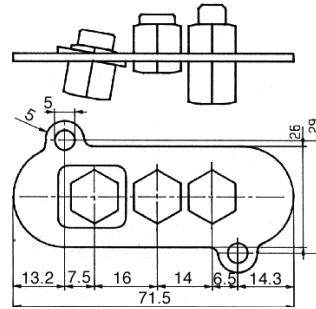
B4



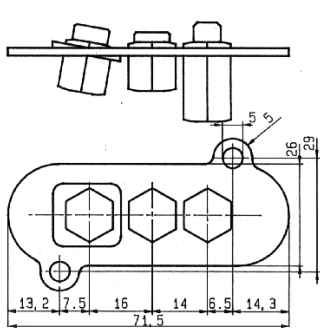
B5



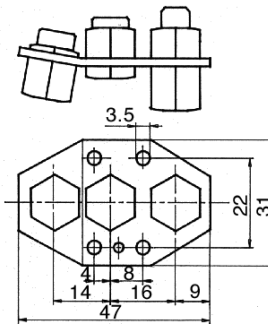
B6



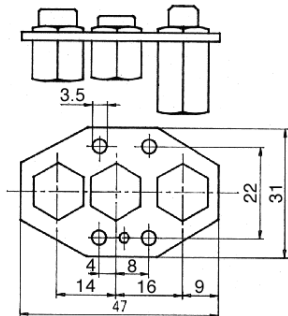
B7



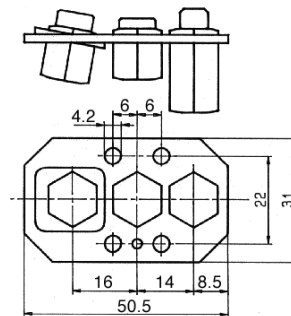
B9



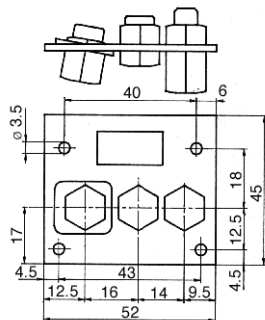
B10



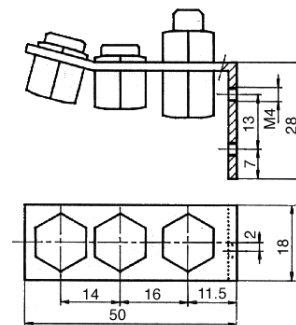
B13



B16



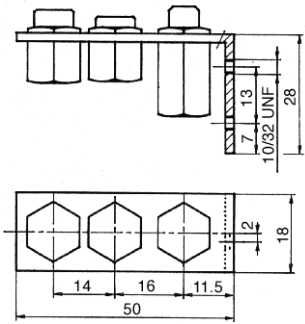
B17



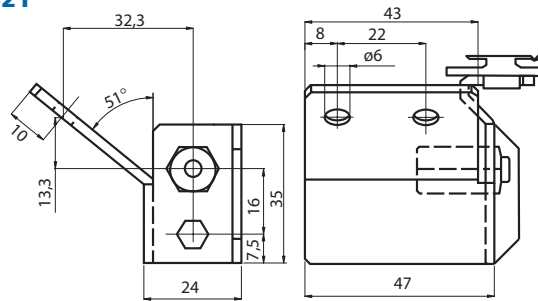
BRACKET CONFIGURATIONS

140-145-150 SERIES

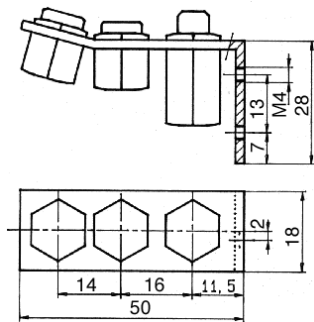
B20



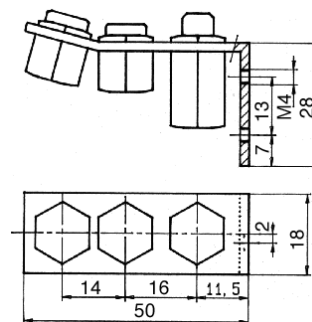
B21



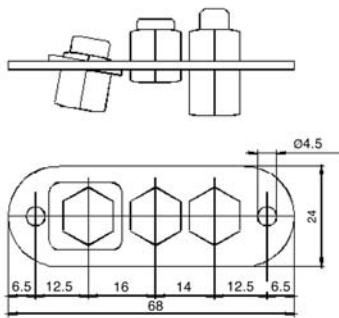
B22



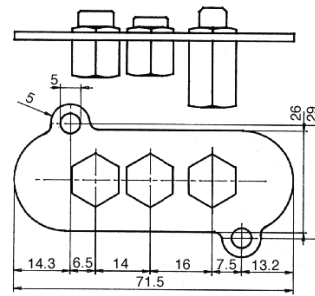
B23



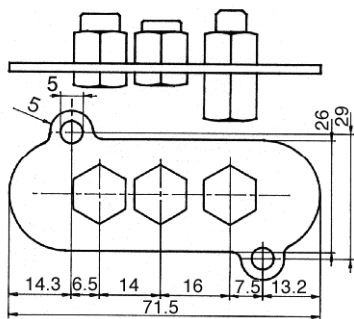
B24



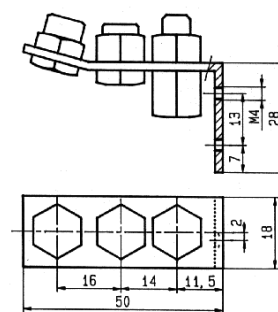
B30



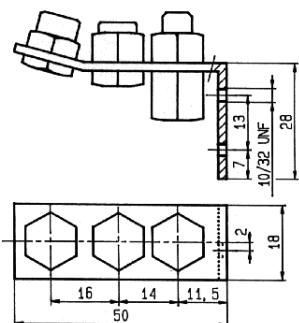
B31



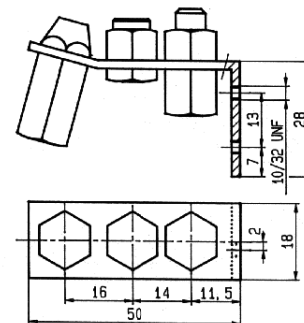
B33



B34



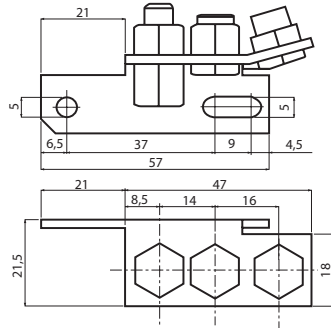
B35



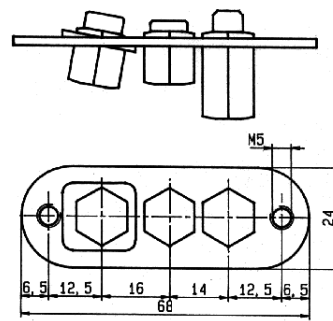
BRACKET CONFIGURATIONS

140-145-150 SERIES

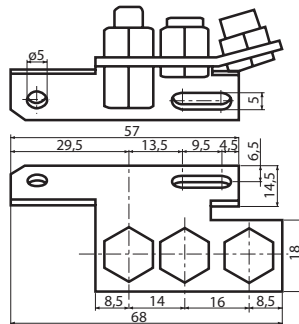
B37



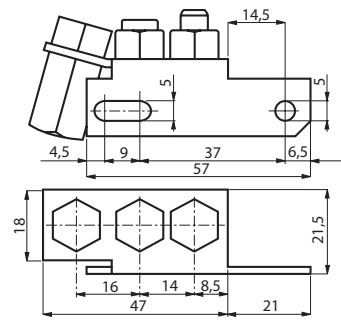
B38



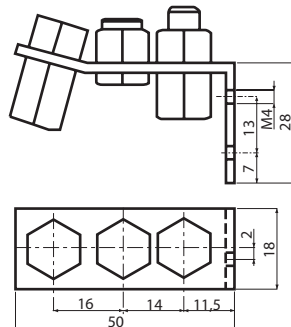
B39



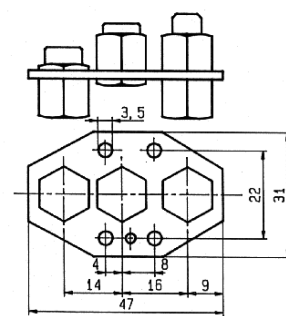
B40



B41



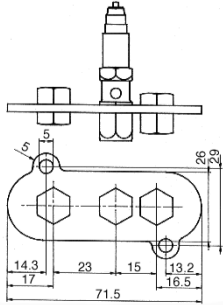
B51



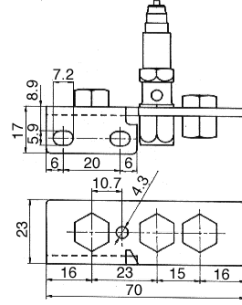
BRACKET CONFIGURATIONS

160 SERIES

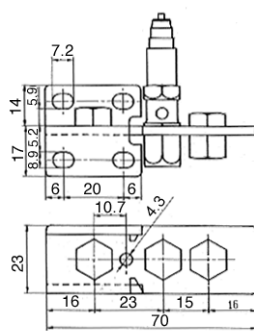
C1



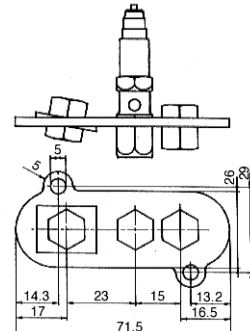
C3



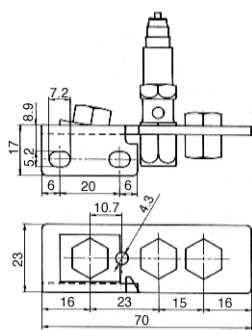
C4



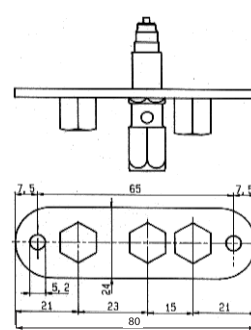
C7



C8



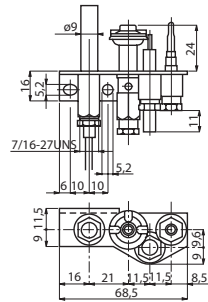
C9



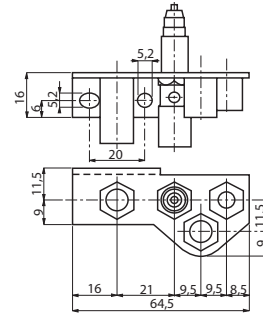
BRACKET CONFIGURATIONS

190 SERIES

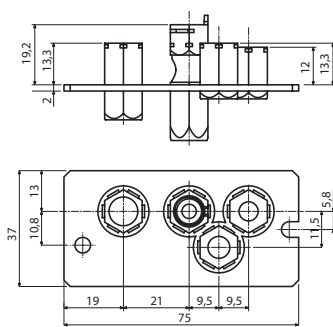
E4



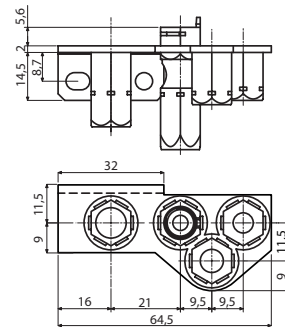
E9



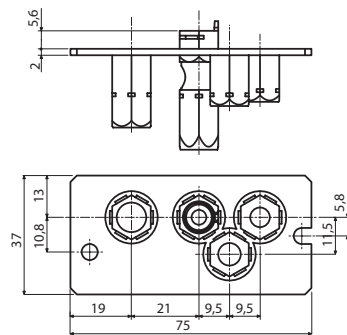
E15



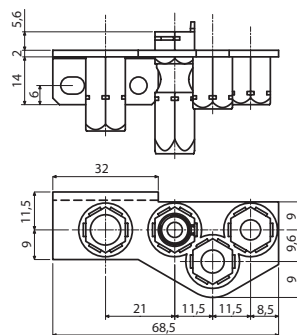
E16



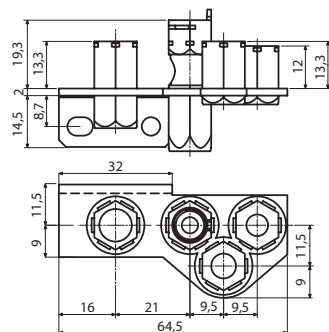
E17



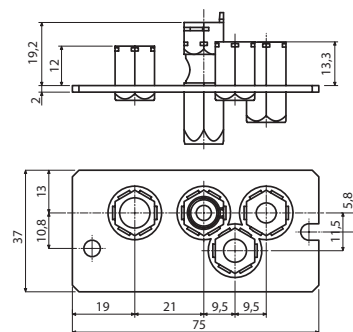
E18



E20



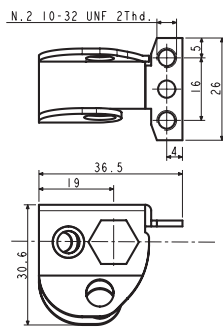
E21



BRACKET CONFIGURATIONS

PRIME AIR SERIES

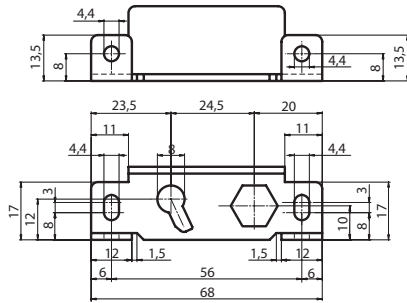
E11



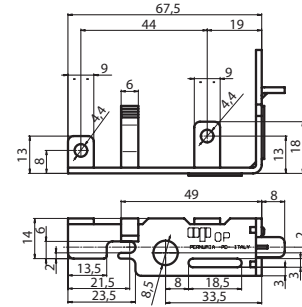
BRACKET CONFIGURATIONS

OXYPROTECTOR

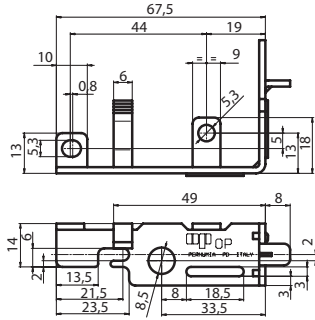
B500



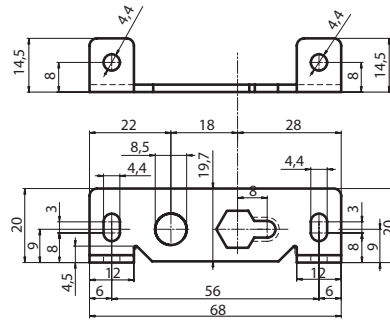
B501



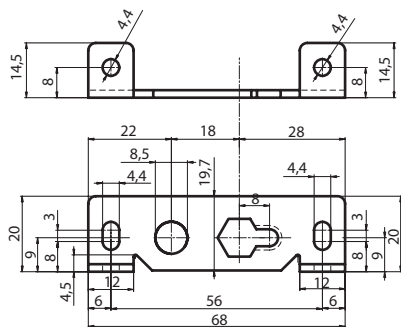
B502



B503



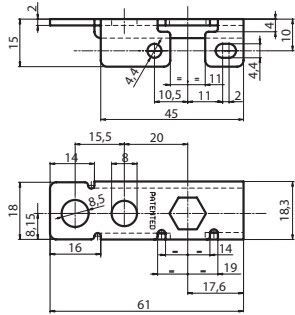
B504



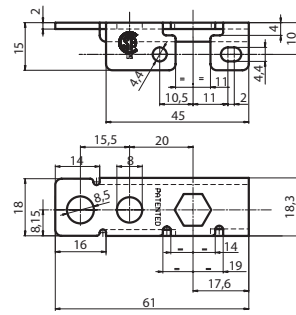
BRACKET CONFIGURATIONS

OXYPLOT

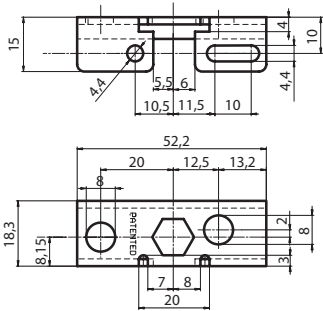
B505



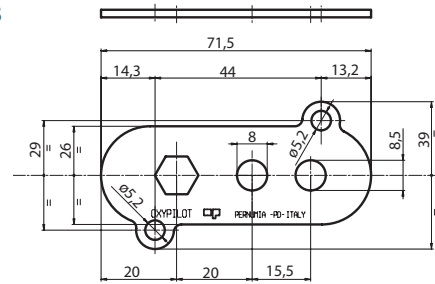
B506



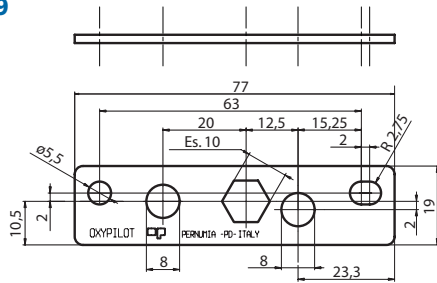
B507



B508

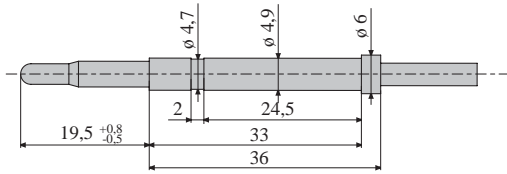


B509



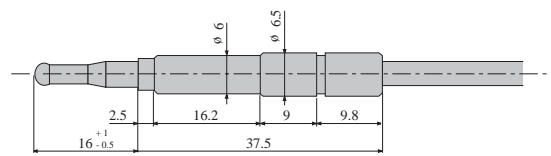
THERMOCOUPLE MOUNTING SLEEVES MILLIVOLT GENERATOR

A0



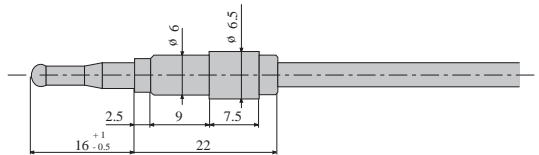
SPECIAL

A1



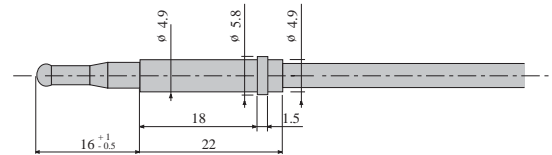
UNIFIED

A2



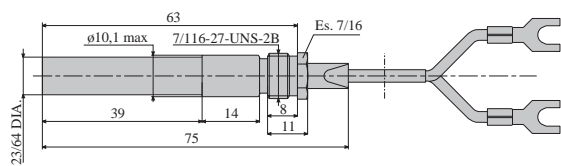
TARGET

A14



SPECIAL

THERMOPILE



0.240.002





SITGroup

SIT La Precisa S.p.A.

Viale dell'Industria 31-33

35129 PADOVA - ITALY

Tel. +39/049.829.31.11, Fax +39/049.807.00.93

www.sitgroup.it - e-mail: mkt@sitgroup.it